

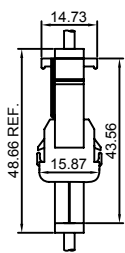
Specifications

- Current rating: 19A AC, DC (Max)
- Voltage rating: 600V AC, DC
- Temperature range: -40°C ~ +105°C
- Contact resistance: 3.5mΩ Max.
- Insulation resistance: 1000MΩ Min.
- Withstanding voltage: 5000V AC/minute
- *Compliant with RoHS and REACH*
- *Meet the HF/Halogen Free, GWT/Glow wire Test (IEC60335-1) request, need to customize*
- *Contact CJT for details*

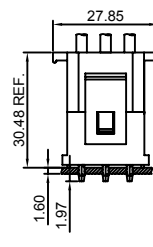
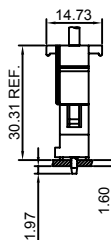
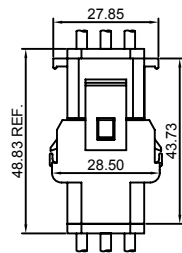
Standards



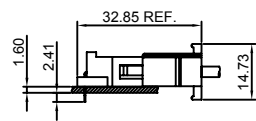
Assembly layout



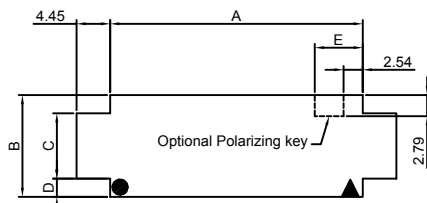
wire to wire



wire to board



Panel hole layout



- ▲ Circuit 1 location when using polarizing key option with 2, 3, 4, 5, 6, 7, 8, 9, 10 circuit housing
- option with 3x2, 3x3, 3x4, 3x5 circuit housing

PART NO.	Dimensions				
	A	B	C	D	E
C6351HM-2P	14.35	13.46	8.64	2.41	6.35
C6351HM-3P	20.70	13.46	8.64	2.41	6.35
C6351HM-4P	27.05	13.46	8.64	2.41	6.35
C6351HM-5P	33.40	13.46	8.64	2.41	6.35
C6351HM-6P	39.75	13.46	8.64	2.41	6.35
C6351HM-7P	46.10	13.46	8.64	2.41	6.35
C6351HM-8P	52.45	13.46	8.64	2.41	6.35
C6351HM-9P	58.80	13.46	8.64	2.41	6.35
C6351HM-10P	65.15	13.46	8.64	2.41	6.35
C6351HM-3x2P	14.35	26.16	12.19	6.99	6.35
C6351HM-3x3P	20.70	26.16	12.19	6.99	6.35
C6351HM-3x4P	27.05	26.16	12.19	6.99	8.89
C6351HM-3x5P	33.40	26.16	12.19	6.99	8.89

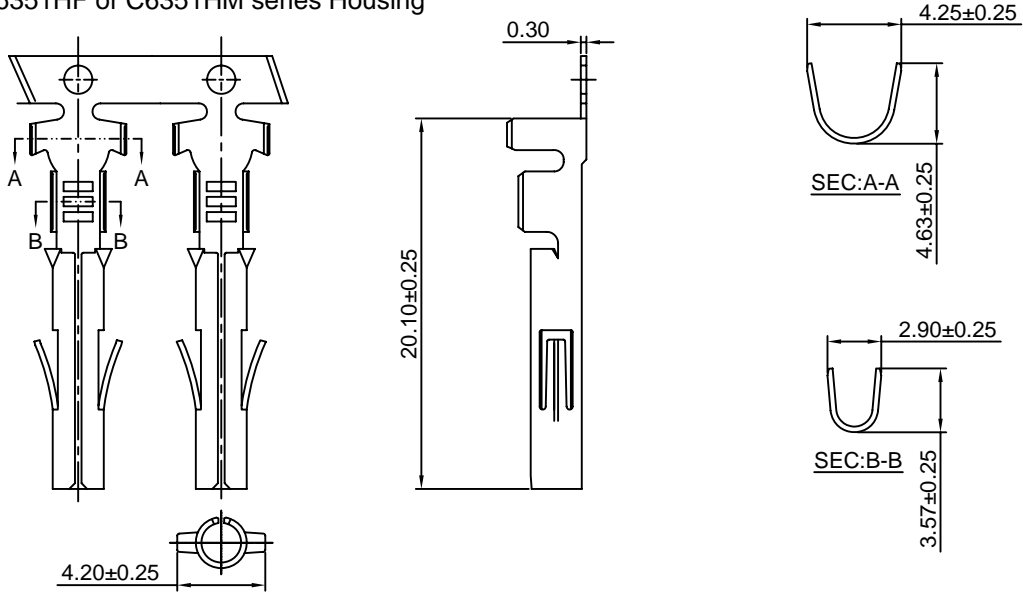
Unit:mm

C6351F-T

6.35mm pitch Crimp Terminal

Reference Informations:

*Used in CJT C6351HF or C6351HM series Housing



Ordering information & Specifications:

Unit:mm

Part NO.	Wire Range	Insulation O.D.	Material	Finish	Qty/reel
C6351F-TB	AWG#16-#20	3.30mm(max)	Brass	Tin over Nickel	5,000 PCS
C6351F-TP	AWG#16-#20	3.30mm(max)	Phosphor Bronze	Tin over Nickel	5,000 PCS
C6351F-GB	AWG#16-#20	3.30mm(max)	Brass	Gold over Nickel	5,000 PCS
C6351F-GP	AWG#16-#20	3.30mm(max)	Phosphor Bronze	Gold over Nickel	5,000 PCS

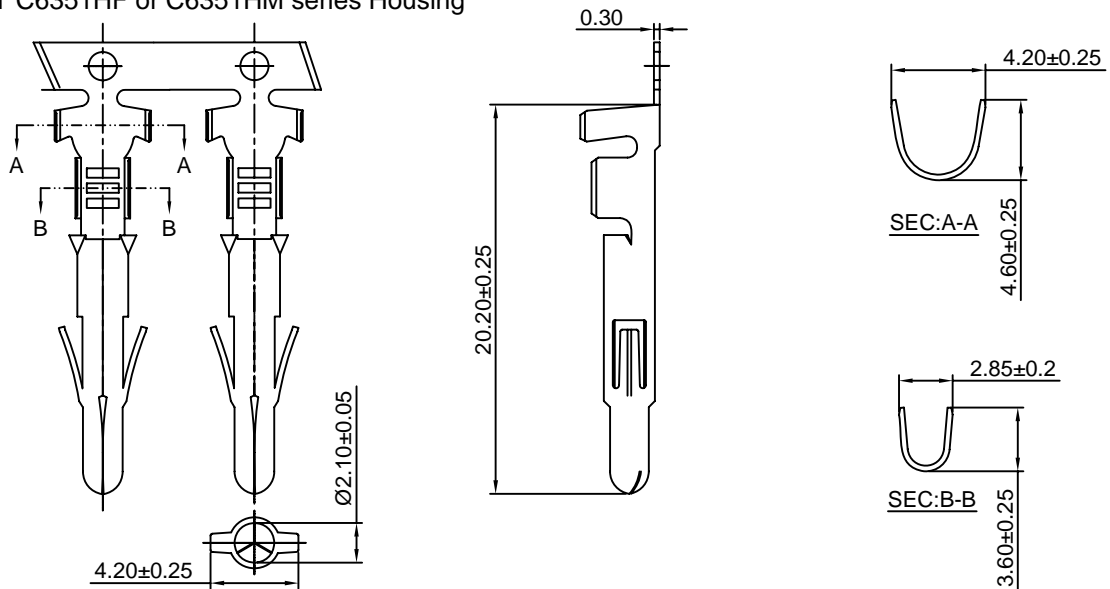
Optional Gold plating available but MOQ requested

C6351M-T

6.35mm pitch Crimp Terminal

Reference Informations:

*Used in CJT C6351HF or C6351HM series Housing



Ordering information & Specifications:

Unit:mm

Part NO.	Wire Range	Insulation O.D.	Material	Finish	Qty/reel
C6351M-TB	AWG#16-#20	3.30mm(max)	Brass	Tin over Nickel	5,000 PCS
C6351M-TP	AWG#16-#20	3.30mm(max)	Phosphor Bronze	Tin over Nickel	5,000 PCS
C6351M-GB	AWG#16-#20	3.30mm(max)	Brass	Gold over Nickel	5,000 PCS
C6351M-GP	AWG#16-#20	3.30mm(max)	Phosphor Bronze	Gold over Nickel	5,000 PCS

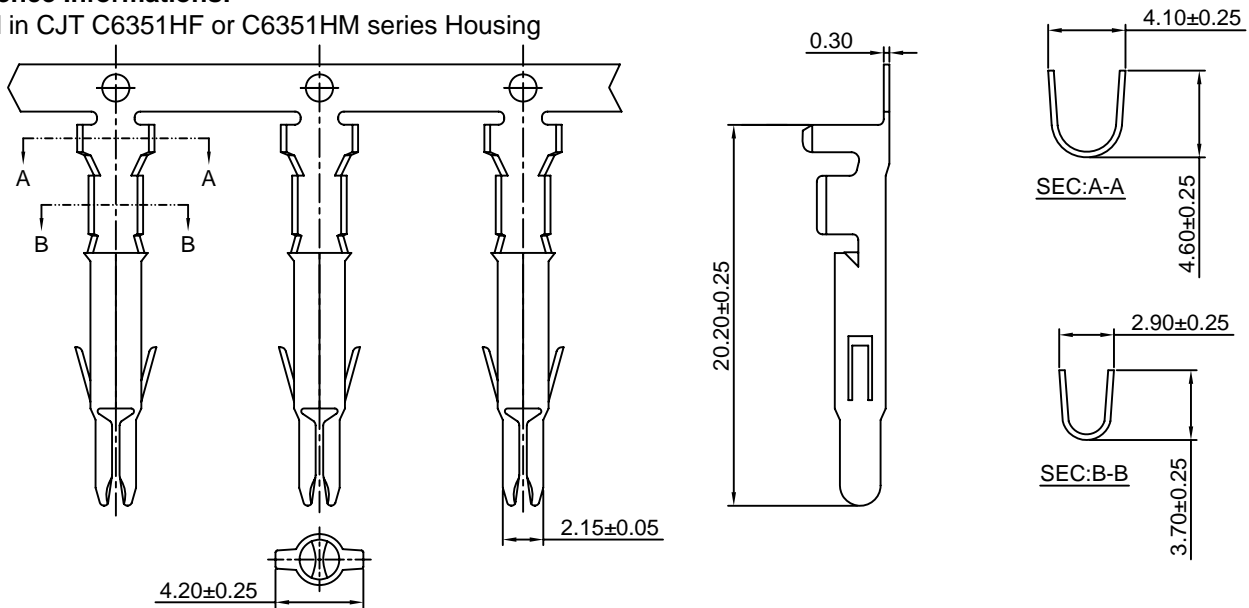
Optional Gold plating available but MOQ requested

C6351MA-T

6.35mm pitch Crimp Terminal

Reference Informations:

*Used in CJT C6351HF or C6351HM series Housing



Ordering information & Specifications:

Unit:mm

Part NO.	Wire Range	Insulation O.D.	Material	Finish	Qty/reel
C6351MA-TB	AWG#16-#20	3.30mm(max)	Brass	Tin over Nickel	5,000 PCS
C6351MA-TP	AWG#16-#20	3.30mm(max)	Phosphor Bronze	Tin over Nickel	5,000 PCS
C6351MA-GB	AWG#16-#20	3.30mm(max)	Brass	Gold over Nickel	5,000 PCS
C6351MA-GP	AWG#16-#20	3.30mm(max)	Phosphor Bronze	Gold over Nickel	5,000 PCS

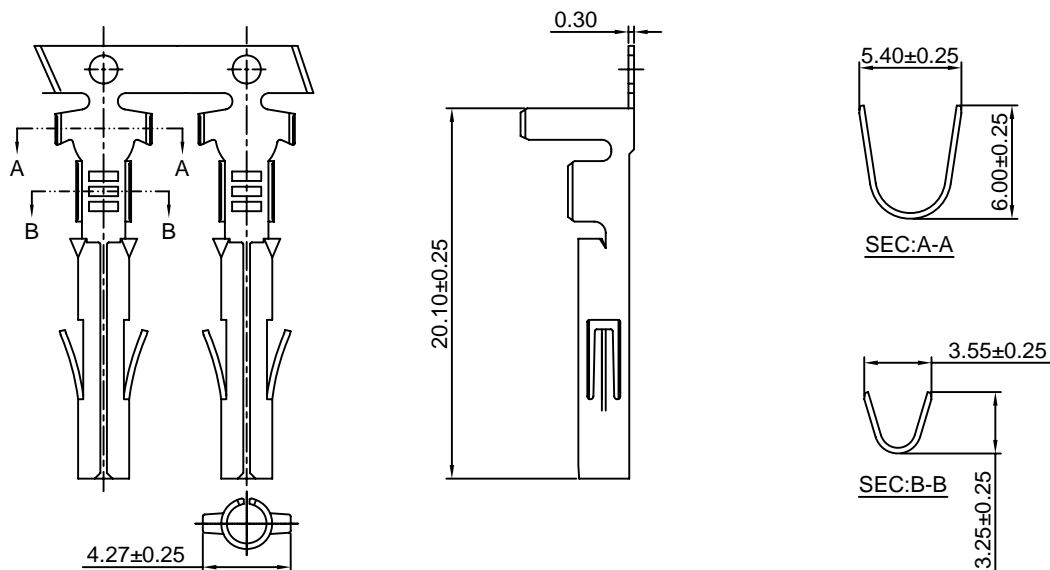
Optional Gold plating available but MOQ requested

C6351F-T-H

6.35mm pitch Crimp Terminal

Reference Informations:

*Used in CJT C6351HF or C6351HM series Housing



Ordering information & Specifications:

Unit:mm

Part NO.	Wire Range	Insulation O.D.	Material	Finish	Qty/reel
C6351F-TB-H	AWG#12-#14	4.30mm(max)	Brass	Tin over Nickel	2,500 PCS
C6351F-TP-H	AWG#12-#14	4.30mm(max)	Phosphor Bronze	Tin over Nickel	2,500 PCS
C6351F-GB-H	AWG#12-#14	4.30mm(max)	Brass	Gold over Nickel	2,500 PCS
C6351F-GP-H	AWG#12-#14	4.30mm(max)	Phosphor Bronze	Gold over Nickel	2,500 PCS

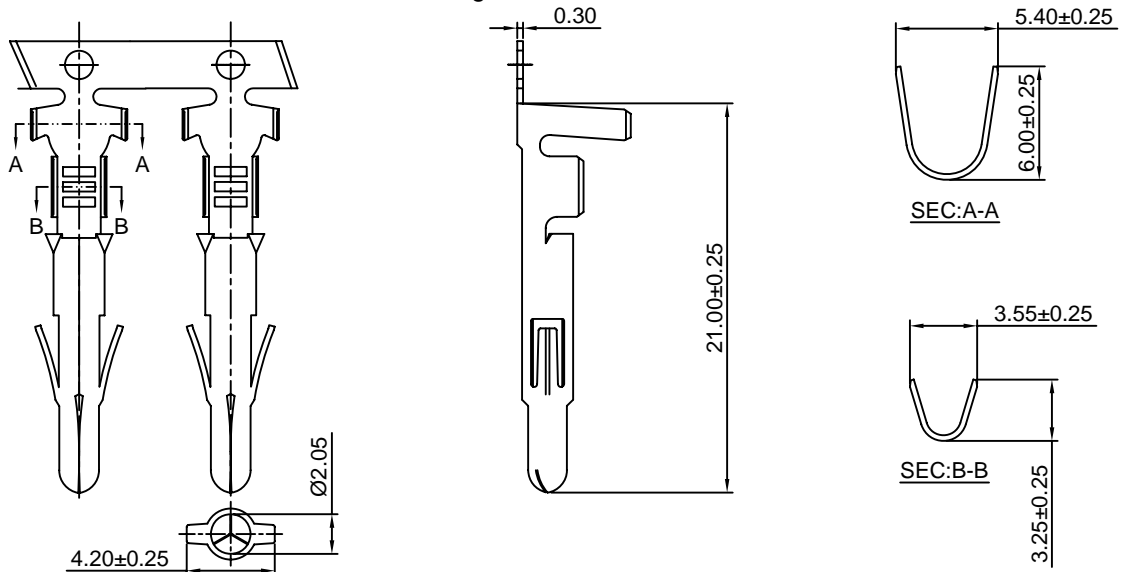
Optional Gold plating available but MOQ requested

C6351M-T-H

6.35mm pitch Crimp Terminal

Reference Informations:

*Used in CJT C6351HF or C6351HM series Housing



Ordering information & Specifications:

Unit:mm

Part NO.	Wire Range	Insulation O.D.	Material	Finish	Qty/reel
C6351M-TB-H	AWG#12-#14	4.30mm(max)	Brass	Tin over Nickel	2,500 PCS
C6351M-TP-H	AWG#12-#14	4.30mm(max)	Phosphor Bronze	Tin over Nickel	2,500 PCS
C6351M-GB-H	AWG#12-#14	4.30mm(max)	Brass	Gold over Nickel	2,500 PCS
C6351M-GP-H	AWG#12-#14	4.30mm(max)	Phosphor Bronze	Gold over Nickel	2,500 PCS

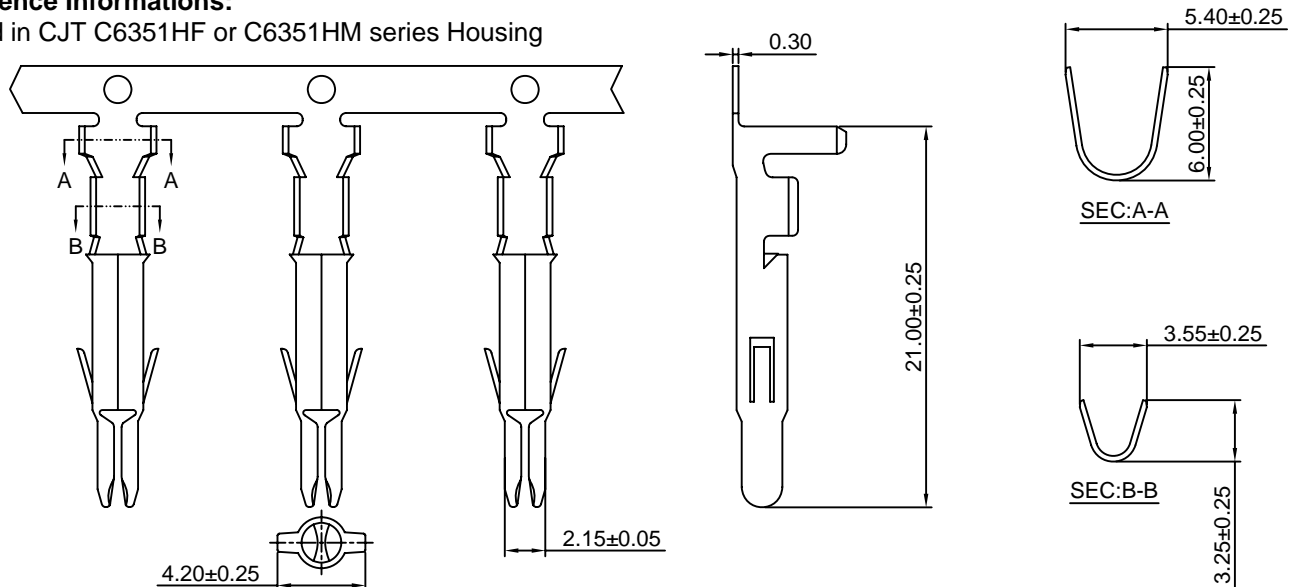
Optional Gold plating available but MOQ requested

C6351MA-T-H

6.35mm pitch Crimp Terminal

Reference Informations:

*Used in CJT C6351HF or C6351HM series Housing



Ordering information & Specifications:

Unit:mm

Part NO.	Wire Range	Insulation O.D.	Material	Finish	Qty/reel
C6351MA-TB-H	AWG#12-#14	4.30mm(max)	Brass	Tin over Nickel	2,500 PCS
C6351MA-TP-H	AWG#12-#14	4.30mm(max)	Phosphor Bronze	Tin over Nickel	2,500 PCS
C6351MA-GB-H	AWG#12-#14	4.30mm(max)	Brass	Gold over Nickel	2,500 PCS
C6351MA-GP-H	AWG#12-#14	4.30mm(max)	Phosphor Bronze	Gold over Nickel	2,500 PCS

Optional Gold plating available but MOQ requested

C6351H

6.35mm pitch Single Row Housing

Reference Informations:

- *Material: Nylon 66, UL94V-2 or UL94V-0
- *Suitable CJT C6351F or C6351M series Terminal
- *Mates with CJT C6351 series Single row Housing or C6351 series Single row Wafer
- *Color: Natural

Ordering Information:

C6351HF<HFA>-XP - **
1 2

1. Part No.
2. Material:
(blank): UL94V-2/Natural
V0: UL94V-0/White

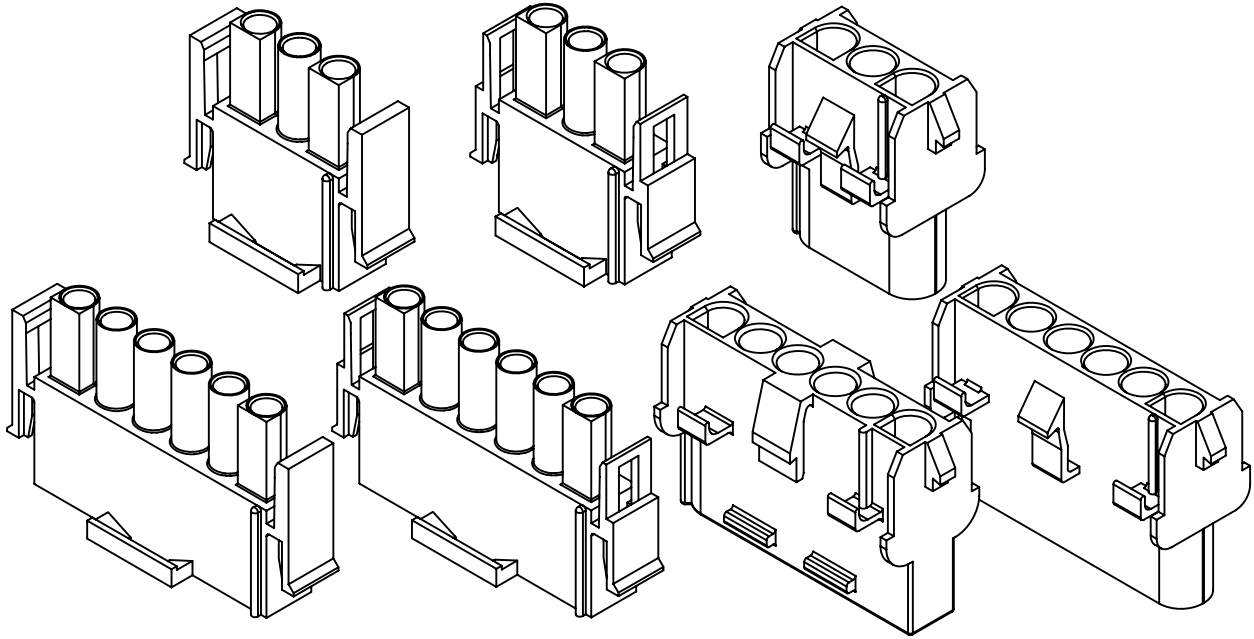
Ordering Information:

C6351HM-XP - **
1 2

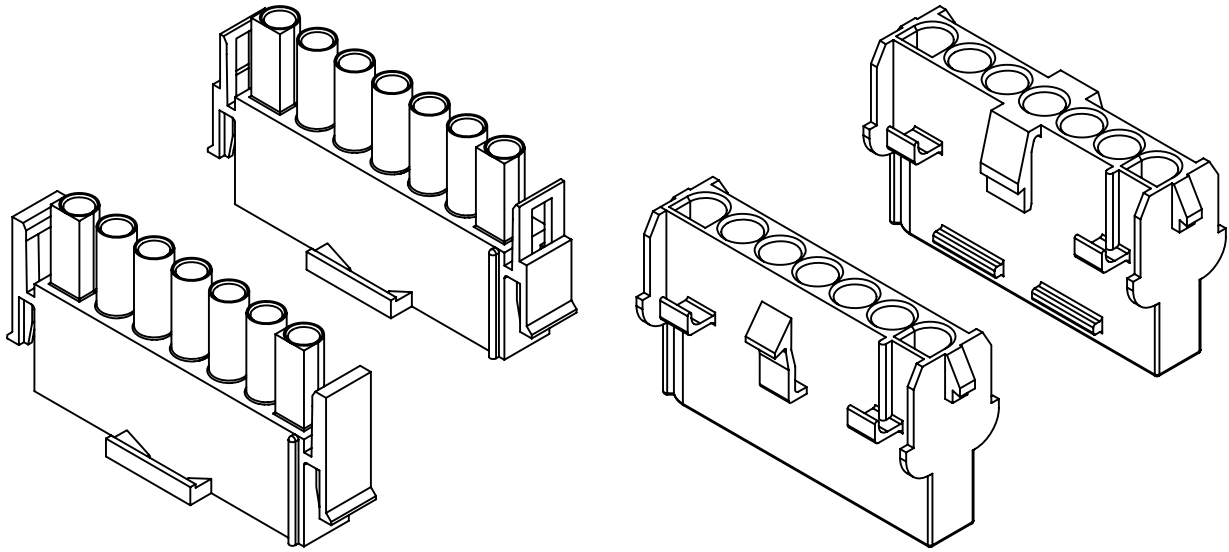
1. Part No.
2. Material:
(blank): UL94V-2/Natural
V0: UL94V-0/White

C6351HF<HFA>	C6351HM
<p>C6351HF-1P</p>	<p>C6351HM-1P</p>
<p>C6351HF-2P C6351HF-2P-A(With Post)</p>	<p>C6351HM-2P</p>
<p>C6351HFA-2P C6351HFA-2P-A(With Post)</p>	<p>C6351HM-3P</p>
<p>C6351HF-3P</p>	<p>C6351HFA-3P</p>

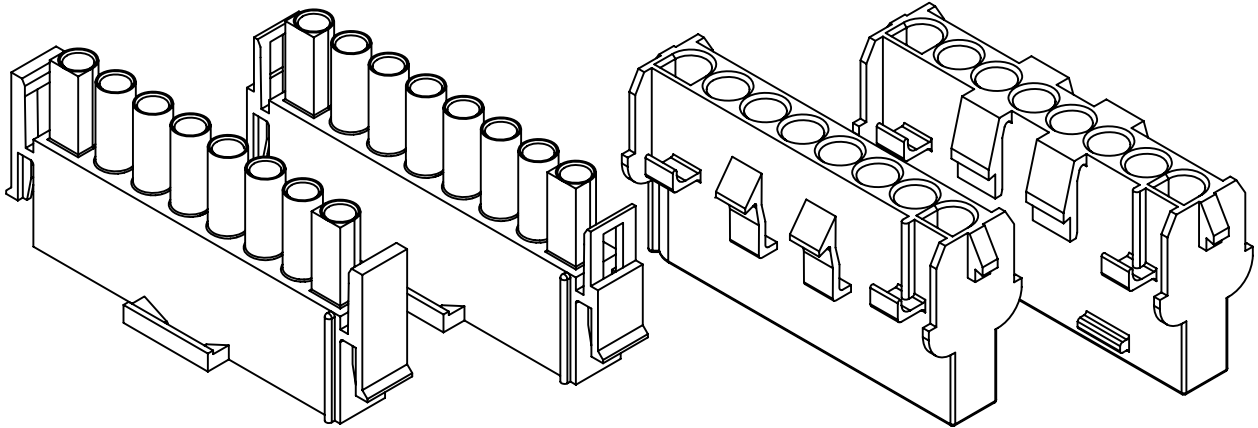
C6351HF<HFA>	C6351HM
<p>C6351HF-4P</p>	<p>C6351HM-4P</p>
<p>C6351HFA-4P</p>	
<p>C6351HF-5P</p>	<p>C6351HM-5P</p>
<p>C6351HFA-5P</p>	



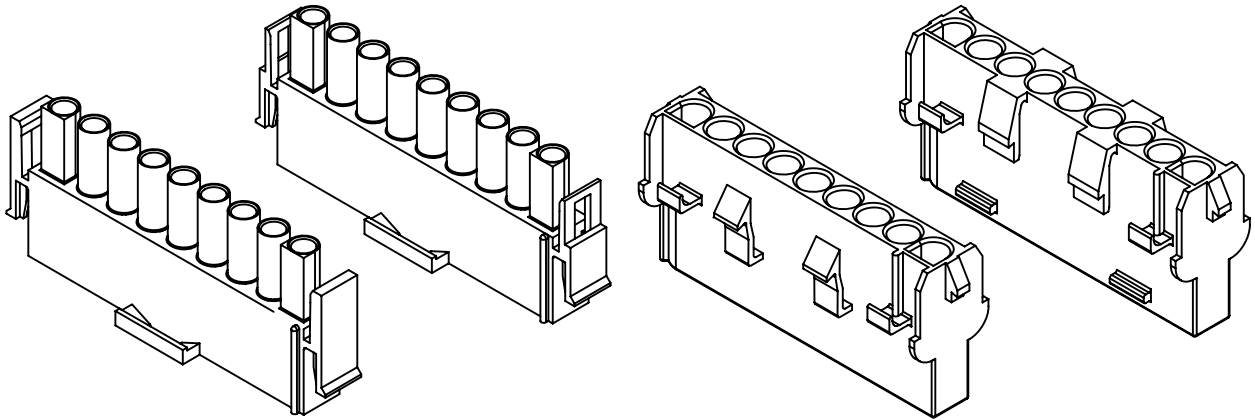
C6351HF<HFA>	C6351HM<HMA>
<p><u>C6351HF-6P</u></p>	<p><u>C6351HM-6P</u></p>
<p><u>C6351HFA-6P</u></p>	<p><u>C6351HMA-6P</u></p>



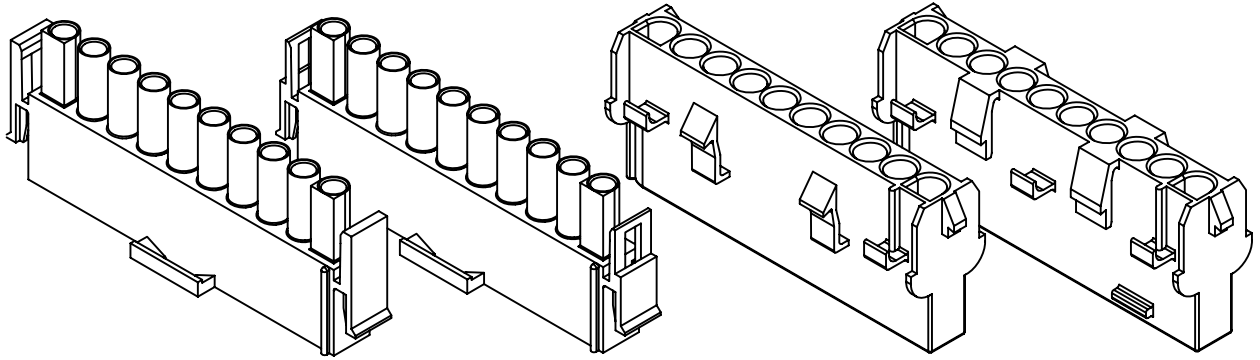
C6351HF<HFA>	C6351HM<HMA>
<p><u>C6351HF-7P</u></p>	<p><u>C6351HM-7P</u></p>
<p><u>C6351HFA-7P</u></p>	<p><u>C6351HMA-7P</u></p>



C6351HF<HFA>	C6351HM<HMA>
<p><u>C6351HF-8P</u></p>	<p><u>C6351HM-8P</u></p>
<p><u>C6351HFA-8P</u></p>	<p><u>C6351HMA-8P</u></p>



C6351HF<HFA>	C6351HM<HMA>
<p><u>C6351HF-9P</u></p>	<p><u>C6351HM-9P</u></p>
<p><u>C6351HFA-9P</u></p>	<p><u>C6351HMA-9P</u></p>



C6351HF<HFA>	C6351HM<HMA>
<p>C6351HF-10P</p>	<p>C6351HM-10P</p>
<p>C6351HFA-10P</p>	<p>C6351HMA-10P</p>

C6351H-3

6.35mm pitch Triple Row Housing

Reference Informations:

- *Material: Nylon 66, UL94V-2 or UL94V-0
- *Suitable CJT C6351F or C6351M series Terminal
- *Mates with CJT C6351 series triple row Housing or C6351 series triple row Wafer
- *Color: Natural

Ordering Information:

- C6351HF<HFA>-3xXP - **
- | | |
|---|---|
| 1 | 2 |
|---|---|
1. Part No.
2. Material:
(blank): UL94V-2/Natural
V0: UL94V-0/White

Ordering Information:

- C6351HM-3xXP - **
- | | |
|---|---|
| 1 | 2 |
|---|---|
1. Part No.
2. Material:
(blank): UL94V-2/Natural
V0: UL94V-0/White

C6351HF<HFA>-3xXP	C6351HM-3xXP
<p><u>C6351HF-3x2P</u></p>	<p><u>C6351HM-3x2P</u></p>
<p><u>C6351HFA-3x2P</u></p>	
<p><u>C6351HF-3x3P</u></p>	<p><u>C6351HM-3x3P</u></p>
<p><u>C6351HFA-3x3P</u></p>	

C6351H-3

6.35mm pitch Triple Row Housing

Reference Informations:

- *Material: Nylon 66, UL94V-2 or UL94V-0
- *Suitable CJT C6351F or C6351M series Terminal
- *Mates with CJT C6351 series triple row Housing or C6351 series triple row Wafer
- *Color: Natural

Ordering Information:

C6351HF<HFA>-3xXP - **

1	2
---	---

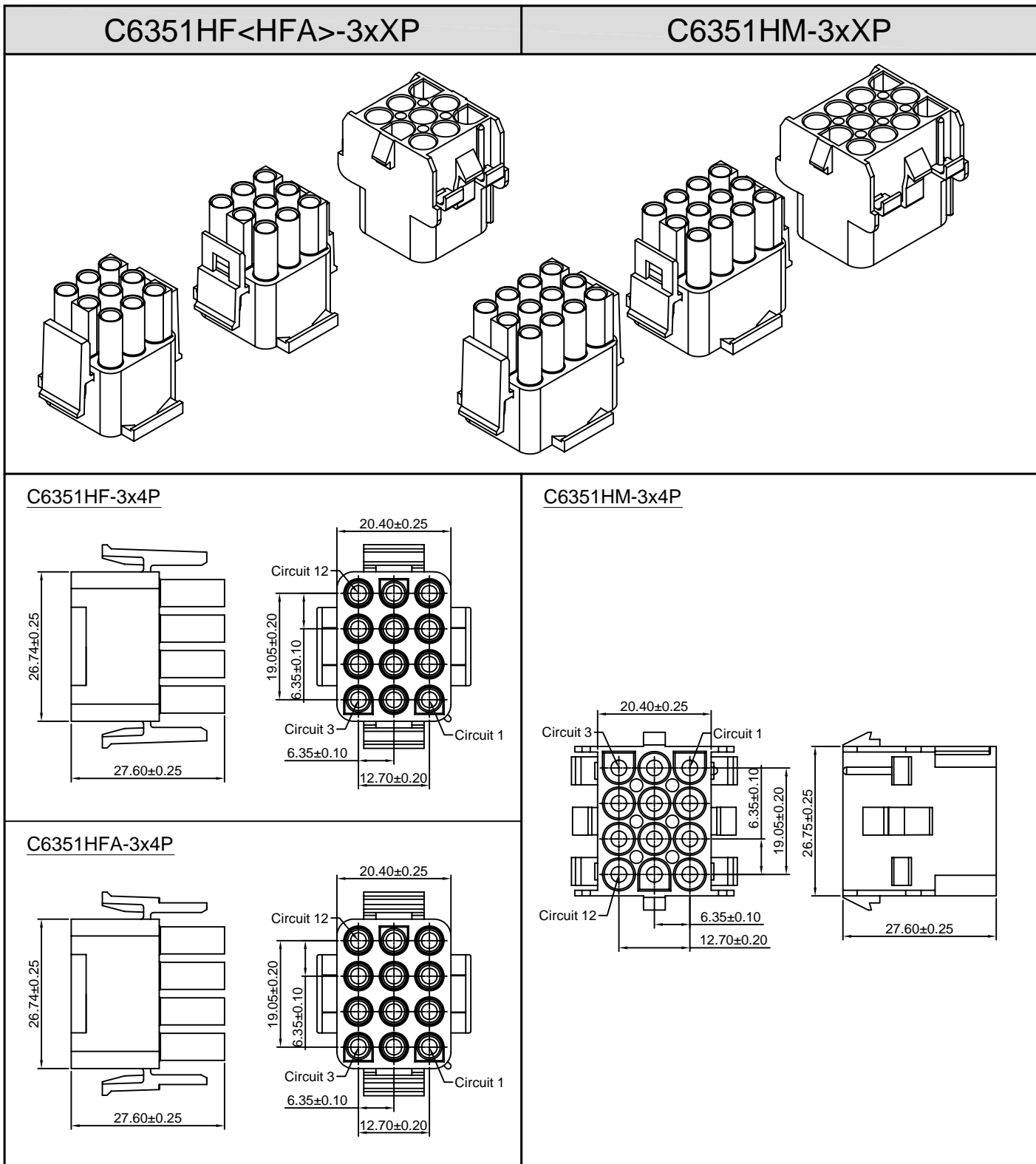
 1.Part No.
 2.Material:
 (blank):UL94V-2/Natural
 V0:UL94V-0/White

Ordering Information:

C6351HM-3xXP - **

1	2
---	---

 1.Part No.
 2.Material:
 (blank):UL94V-2/Natural
 V0:UL94V-0/White



C6351H-3

6.35mm pitch Triple Row Housing

Reference Informations:

- *Material: Nylon 66, UL94V-2 or UL94V-0
- *Suitable CJT C6351F or C6351M series Terminal
- *Mates with CJT C6351 series triple row Housing or C6351 series triple row Wafer
- *Color: Natural

Ordering Information:

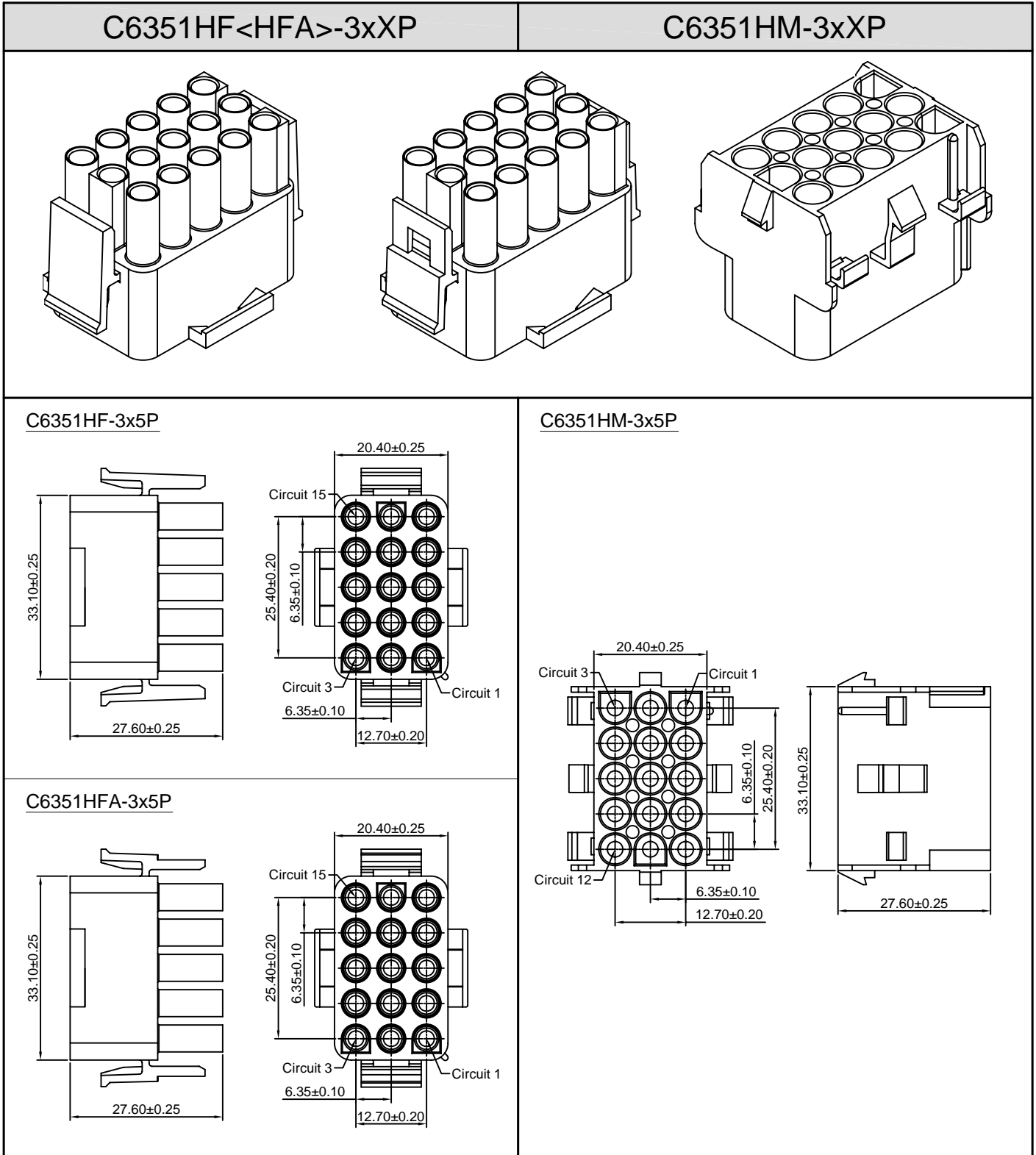
C6351HF<HFA>-3xXP - **
1 2

- 1. Part No.
- 2. Material:
(blank): UL94V-2/Natural
V0: UL94V-0/White

Ordering Information:

C6351HM-3xXP - **
1 2

- 1. Part No.
- 2. Material:
(blank): UL94V-2/Natural
V0: UL94V-0/White



C6351WV-M

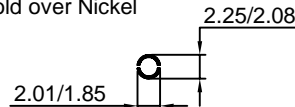
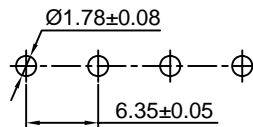
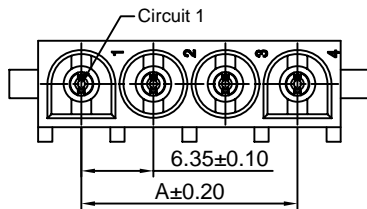
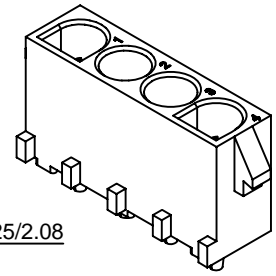
6.35mm pitch 180° Single Row Wafer-MALE TYPE

Reference Informations:

- *Material: Pin: Brass/Tin over Nickel
Insulator: Nylon 66, UL94V-2 or UL94V-0
- *Mates with CJT C6351HF series single row Housing
- *Color: Natural

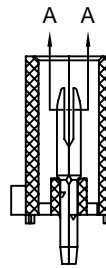
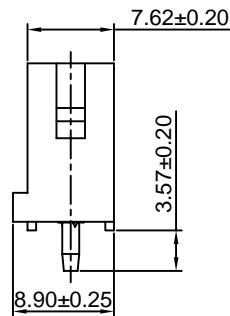
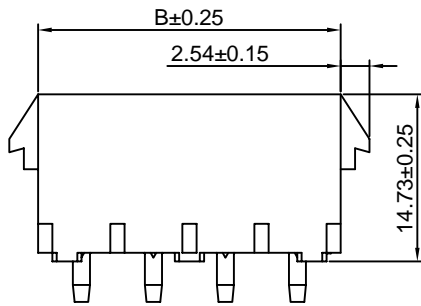
Ordering Information:
C6351WV-XP-M - ** - **

1. Part No.
2. Material:
(blank): UL94V-2 / Natural
V0: UL94V-0 / White
3. Finish
(blank): Tin over Nickel
G: Gold over Nickel



P.C.B LAYOUT

SEC: A-A



Ordering Information & Dimensions:

PART NO.	Dimensions	
	A	B
C6351WV-2P-M	6.35	13.97
C6351WV-3P-M	12.70	20.32
C6351WV-4P-M	19.05	26.67
C6351WV-5P-M	25.40	33.02
C6351WV-6P-M	31.75	39.37
C6351WV-7P-M	38.10	45.72
C6351WV-8P-M	44.45	52.07
C6351WV-9P-M	31.75	58.42
C6351WV-10P-M	44.45	64.77

Unit: mm

C6351WV-F

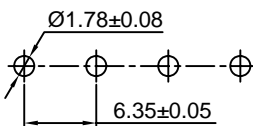
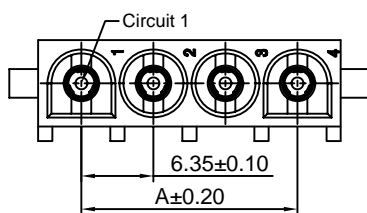
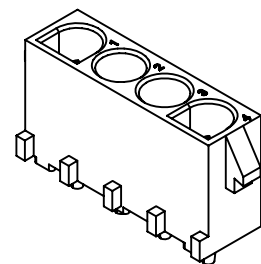
6.35mm pitch 180° Single Row Wafer-Female Type

Reference Informations:

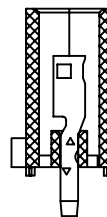
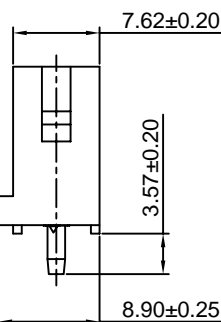
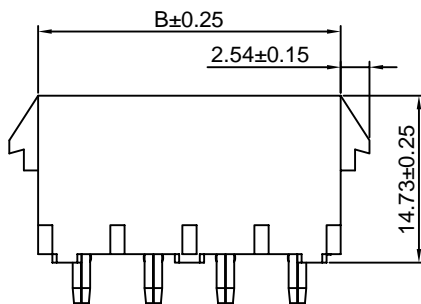
- *Material: Pin: Brass/Tin over Nickel
Insulator: Nylon 66, UL94V-2 or UL94V-0
- *Mates with CJT C6351HF series single row Housing
- *Color: Natural

Ordering Information:
C6351WV-XP-F - ** - **

1. Part No.
2. Material:
(blank): UL94V-2 / Natural
V0: UL94V-0 / White
3. Finish
(blank): Tin over Nickel
G: Gold over Nickel



P.C.B LAYOUT



Ordering Information & Dimensions:

PART NO.	Dimensions	
	A	B
C6351WV-2P-F	6.35	13.97
C6351WV-3P-F	12.70	20.32
C6351WV-4P-F	19.05	26.67
C6351WV-5P-F	25.40	33.02
C6351WV-6P-F	31.75	39.37
C6351WV-7P-F	38.10	45.72
C6351WV-8P-F	44.45	52.07
C6351WV-9P-F	50.80	58.42
C6351WV-10P-F	57.15	64.77

Unit: mm

C6351WV-R

6.35mm pitch 180° Single Row Wafer, Round Pin-MALE TYPE

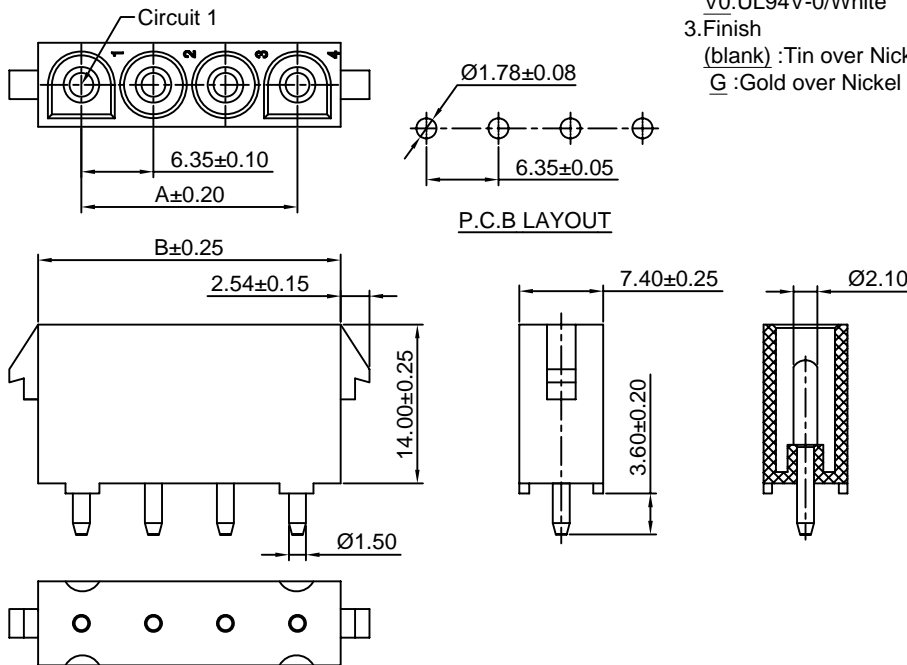
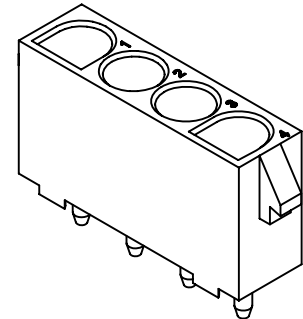
Reference Informations:

- *Material: Pin: Brass/Silver over Nickel
Insulator: Nylon 66, UL94V-2 or UL94V-0
- *Mates with CJT C6351HF series single row Housing
- *Color: Natural

Ordering Information:
C6351WV-XP-R - ** - **

1	2	3
---	---	---

1. Part No.
2. Material:
(blank): UL94V-2 / Natural
V0: UL94V-0 / White
3. Finish
(blank): Tin over Nickel
G: Gold over Nickel



Ordering Information & Dimensions:

PART NO.	Dimensions	
	A	B
C6351WV-2P-R	6.35	13.97
C6351WV-3P-R	12.70	20.32
C6351WV-4P-R	19.05	26.67
C6351WV-5P-R	25.40	33.02
C6351WV-6P-R	31.75	39.37
C6351WV-7P-R	38.10	45.72
C6351WV-8P-R	44.45	52.07
C6351WV-9P-R	50.80	58.42
C6351WV-10P-R	57.15	64.77

Unit: mm

C6351WV-F-M

6.35mm pitch 180° Single Row Wafer Polarizing Peg-MALE TYPE

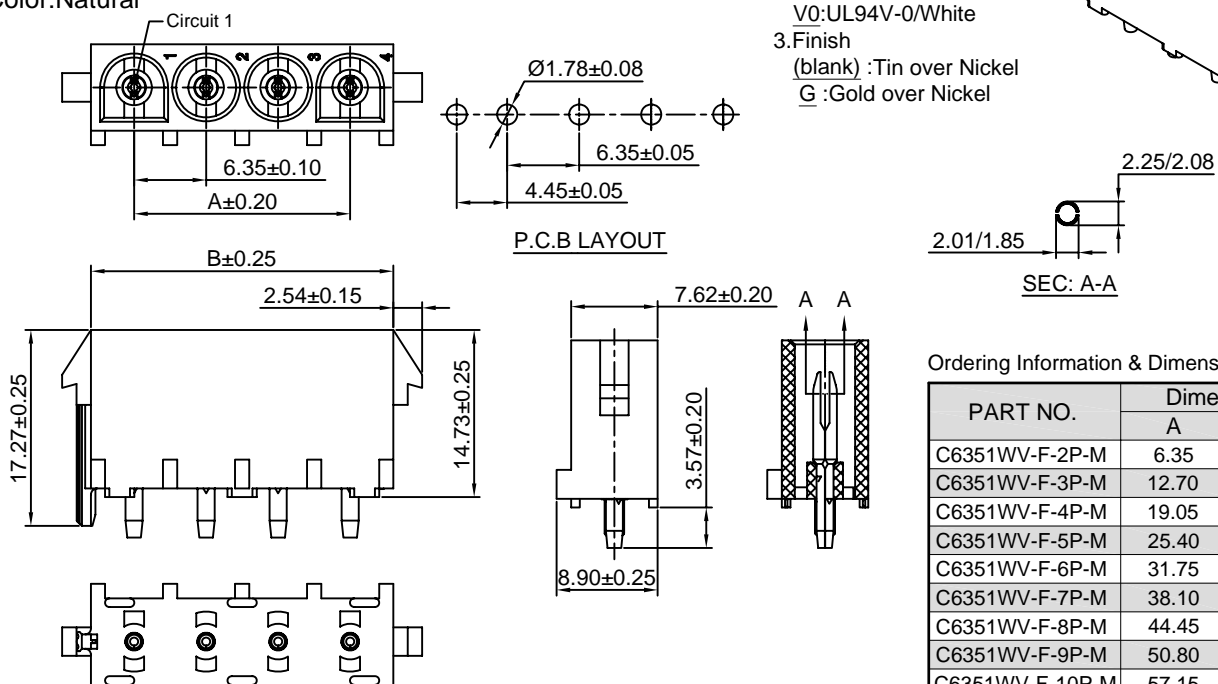
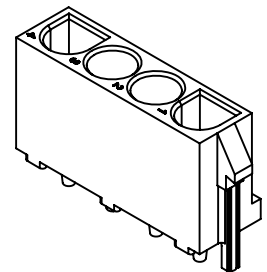
Reference Informations:

- *Material: Pin: Brass/Tin over Nickel
Insulator: Nylon 66, UL94V-2 or UL94V-0
- *Mates with CJT C6351HF series single row Housing
- *Color: Natural

Ordering Information:
C6351WV-F-XP-M - ** - **

1	2	3
---	---	---

1. Part No.
2. Material:
(blank): UL94V-2 / Natural
V0: UL94V-0 / White
3. Finish
(blank): Tin over Nickel
G: Gold over Nickel



Ordering Information & Dimensions:

PART NO.	Dimensions	
	A	B
C6351WV-F-2P-M	6.35	13.97
C6351WV-F-3P-M	12.70	20.32
C6351WV-F-4P-M	19.05	26.67
C6351WV-F-5P-M	25.40	33.02
C6351WV-F-6P-M	31.75	39.37
C6351WV-F-7P-M	38.10	45.72
C6351WV-F-8P-M	44.45	52.07
C6351WV-F-9P-M	50.80	58.42
C6351WV-F-10P-M	57.15	64.77

Unit: mm

C6351WV-F-F

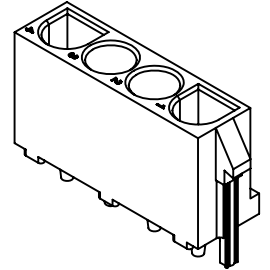
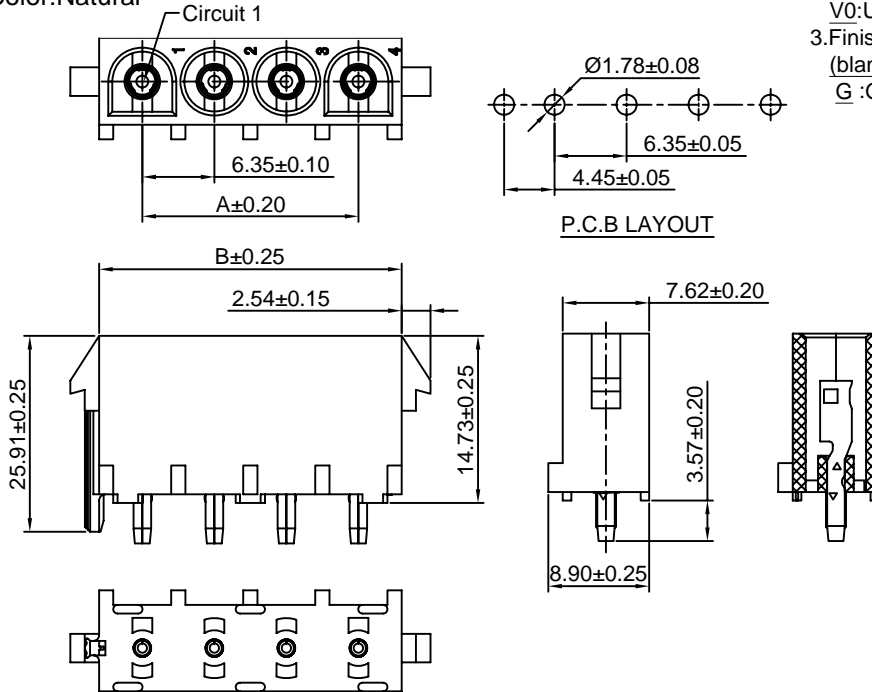
6.35mm pitch 180° Single Row Wafer with Polarizing Peg-Female Type

Reference Informations:

- *Material: Pin: Brass/Tin over Nickel
Insulator: Nylon 66, UL94V-2 or UL94V-0
- *Mates with CJT C6351HF series single row Housing
- *Color: Natural

Ordering Information:
C6351WV-F-XP-F - ** - **
1 2 3

1. Part No.
2. Material:
(blank): UL94V-2 / Natural
V0: UL94V-0 / White
3. Finish
(blank): Tin over Nickel
G: Gold over Nickel



Ordering Information & Dimensions:

PART NO.	Dimensions	
	A	B
C6351WV-F-2P-F	6.35	13.97
C6351WV-F-3P-F	12.70	20.32
C6351WV-F-4P-F	19.05	26.67
C6351WV-F-5P-F	25.40	33.02
C6351WV-F-6P-F	31.75	39.37
C6351WV-F-7P-F	38.10	45.72
C6351WV-F-8P-F	44.45	52.07
C6351WV-F-9P-F	50.80	58.42
C6351WV-F-10P-F	57.15	64.77

Unit: mm

C6351WV-3-M

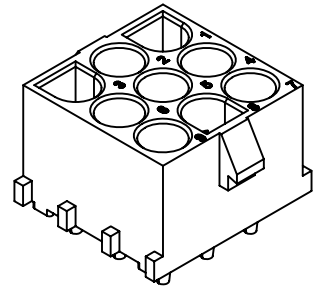
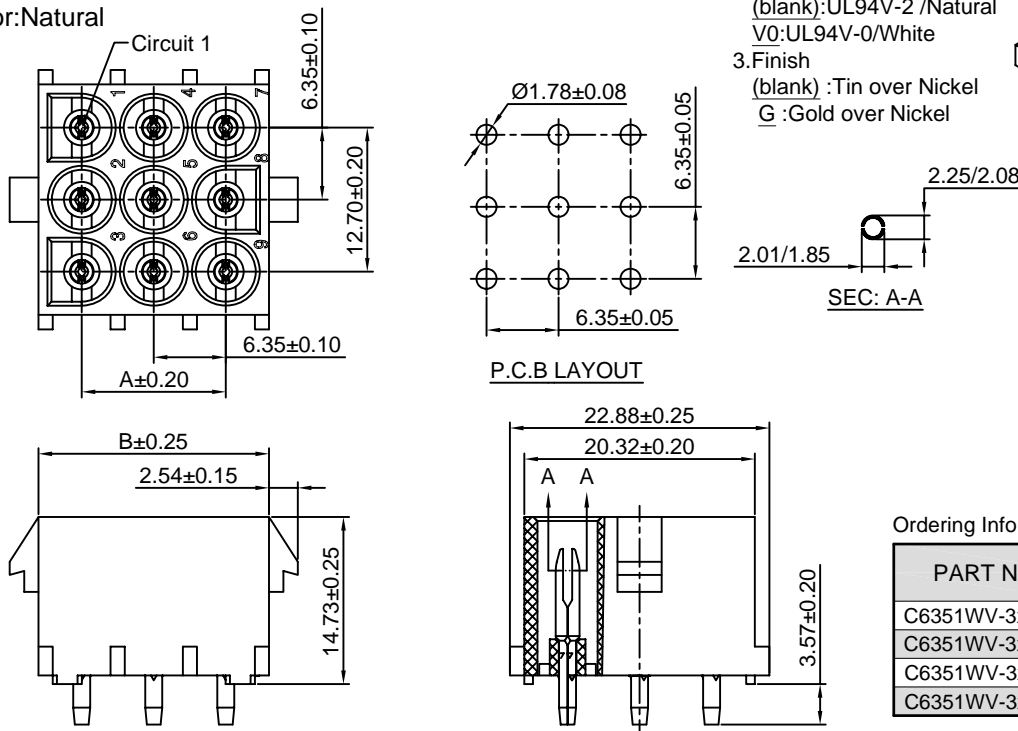
6.35mm pitch 180° Triple Row Wafer-MALE TYPE

Reference Informations:

- *Material: Pin: Brass/Tin over Nickel
Insulator: Nylon 66, UL94V-2 or UL94V-0
- *Mates with CJT C6351HF series triple row Housing
- *Color: Natural

Ordering Information:
C6351WV-3xXP-M - ** - **
1 2 3

1. Part No.
2. Material:
(blank): UL94V-2 / Natural
V0: UL94V-0 / White
3. Finish
(blank): Tin over Nickel
G: Gold over Nickel



Ordering Information & Dimensions:

PART NO.	Dimensions	
	A	B
C6351WV-3x2P-M	6.35	13.97
C6351WV-3x3P-M	12.70	20.32
C6351WV-3x4P-M	19.05	26.67
C6351WV-3x5P-M	25.40	33.02

Unit: mm

C6351WV-3-F

6.35mm pitch 180° Triple Row Wafer-Female Type

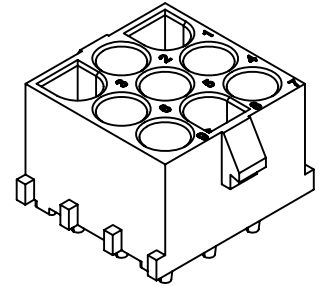
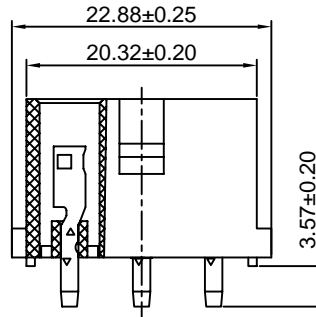
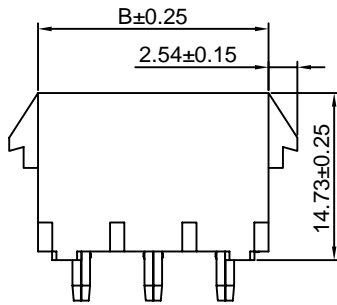
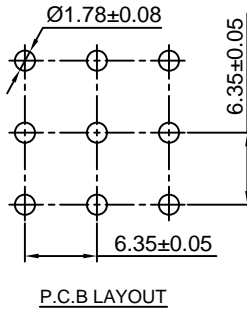
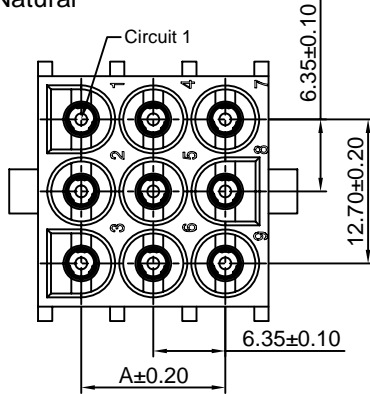
Reference Informations:

- *Material: Pin: Brass/Tin over Nickel
Insulator: Nylon 66, UL94V-2 or UL94V-0
- *Mates with CJT C6351HF series triple row Housing
- *Color: Natural

Ordering Information:

C6351WV-3xXP-F - ** - **
1 2 3

1. Part No.
2. Material:
(blank): UL94V-2 / Natural
V0: UL94V-0 / White
3. Finish
(blank): Tin over Nickel
G: Gold over Nickel



Ordering Information & Dimensions:

PART NO.	Dimensions	
	A	B
C6351WV-3x2P-F	6.35	13.97
C6351WV-3x3P-F	12.70	20.32
C6351WV-3x4P-F	19.05	26.67
C6351WV-3x5P-F	25.40	33.02

Unit: mm

C6351WV-3-R

6.35mm pitch 180° Triple Row Wafer, Round Pin-Male Type

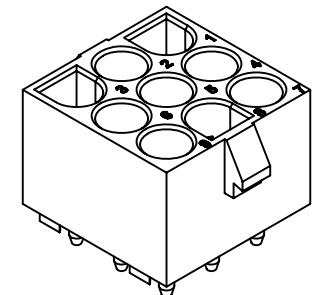
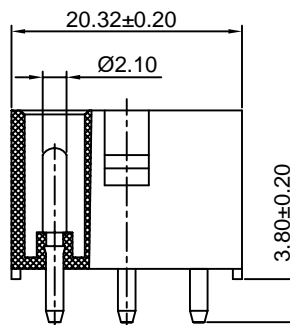
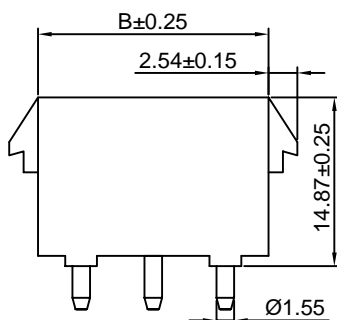
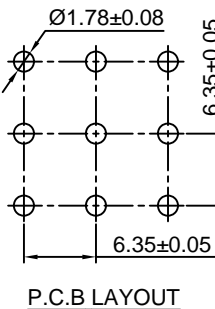
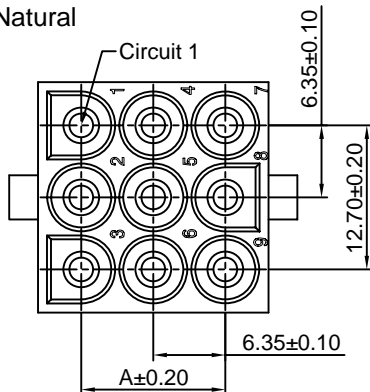
Reference Informations:

- *Material: Pin: Brass/Silver over Nickel
Insulator: Nylon 66, UL94V-2 or UL94V-0
- *Mates with CJT C6351HF series triple row Housing
- *Color: Natural

Ordering Information:

C6351WV-3xXP-R - ** - **
1 2 3

1. Part No.
2. Material:
(blank): UL94V-2 / Natural
V0: UL94V-0 / White
3. Finish
(blank): Tin over Nickel
G: Gold over Nickel



Ordering Information & Dimensions:

PART NO.	Dimensions	
	A	B
C6351WV-3x2P-R	6.35	13.97
C6351WV-3x3P-R	12.70	20.32
C6351WV-3x4P-R	19.05	26.67
C6351WV-3x5P-R	25.40	33.02

Unit: mm

C6351WV-F-3-M

6.35mm pitch 180° Triple Row Wafer Polarizing Peg-Male Type

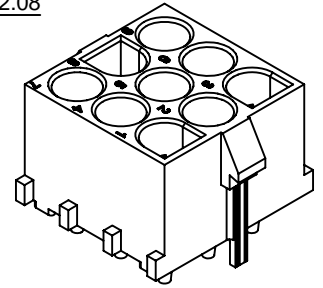
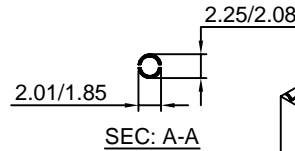
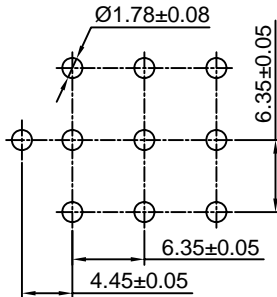
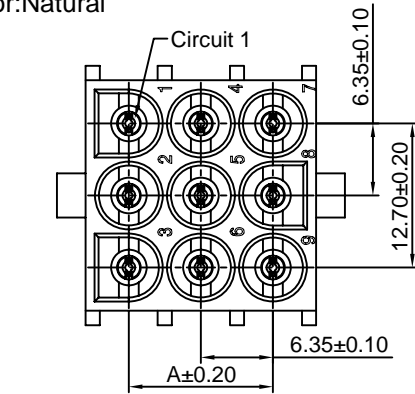
Reference Informations:

- *Material:Pin:Brass/Tin over Nickel
Insulator:Nylon 66,UL94V-2 or UL94V-0
- *Mates with CJT C6351HF series triple row Housing
- *Color:Natural

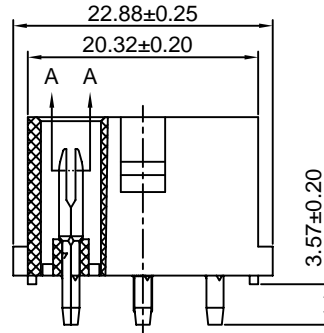
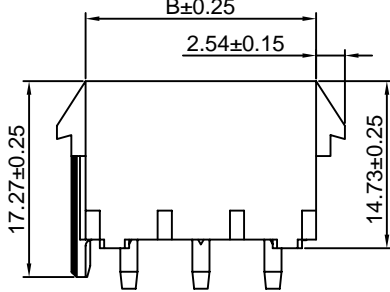
Ordering Information:

C6351WV-F-3xXP-M - ** - **

- | | | |
|--------------------------|---|---|
| 1 | 2 | 3 |
| 1.Part No. | | |
| 2.Material: | | |
| (blank):UL94V-2 /Natural | | |
| V0:UL94V-0/White | | |
| 3.Finish | | |
| (blank) :Tin over Nickel | | |
| G :Gold over Nickel | | |



P.C.B LAYOUT



Ordering Information & Dimensions:

PART NO.	Dimensions	
	A	B
C6351WV-F-3x2P-M	6.35	13.97
C6351WV-F-3x3P-M	12.70	20.32
C6351WV-F-3x4P-M	19.05	26.67
C6351WV-F-3x5P-M	25.40	33.02

Unit: mm

C6351WV-F-3-F

6.35mm pitch 180° Triple Row Wafer with Polarizing Peg-Female Type

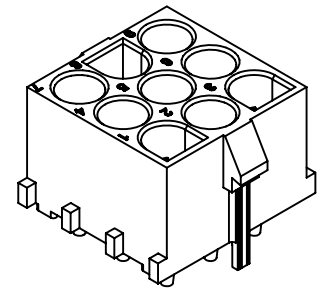
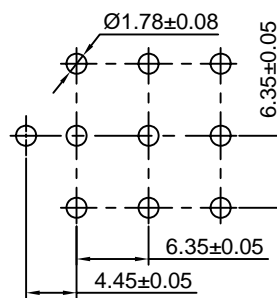
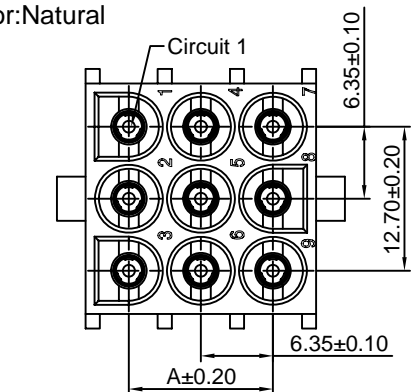
Reference Informations:

- *Material:Pin:Brass/Tin over Nickel
Insulator:Nylon 66,UL94V-2 or UL94V-0
- *Mates with CJT C6351HF series triple row Housing
- *Color:Natural

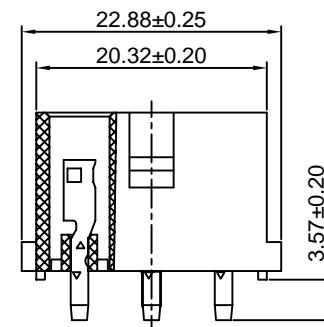
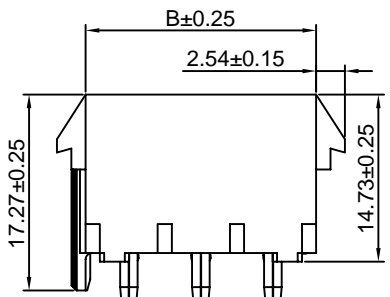
Ordering Information:

C6351WV-F-3xXP-F - ** - **

- | | | |
|--------------------------|---|---|
| 1 | 2 | 3 |
| 1.Part No. | | |
| 2.Material: | | |
| (blank):UL94V-2 /Natural | | |
| V0:UL94V-0/White | | |
| 3.Finish | | |
| (blank) :Tin over Nickel | | |
| G :Gold over Nickel | | |



P.C.B LAYOUT



Ordering Information & Dimensions:

PART NO.	Dimensions	
	A	B
C6351WV-F-3x2P-F	6.35	13.97
C6351WV-F-3x3P-F	12.70	20.32
C6351WV-F-3x4P-F	19.05	26.67
C6351WV-F-3x5P-F	25.40	33.02

Unit: mm

C6351WR-M

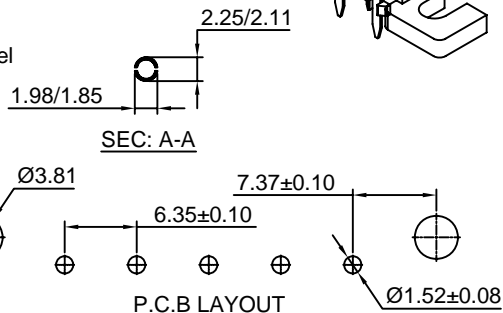
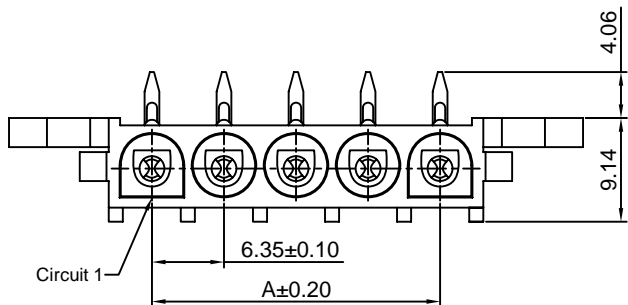
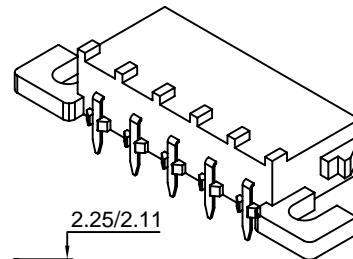
6.35mm Pitch 90° Single Row Wafer-Male Type

Reference Informations:

- *Material: Pin: Brass/Tin over Nickel
Insulator: Nylon 66, UL94V-2 or UL94V-0
- *Mates with CJT C6351HF series single row Housing
- *Color: Natural

Ordering Information:
C6351WR-XP-M - ** - **
1 2 3

1. Part No.
2. Material:
(blank): UL94V-2 / Natural
V0: UL94V-0 / White
3. Finish
(blank): Tin over Nickel
G: Gold over Nickel



Ordering Information & Dimensions:

PART NO.	Dimensions		
	A	B	C
C6351WR-2P-M	6.35	13.97	21.08
C6351WR-3P-M	12.70	20.32	27.43
C6351WR-4P-M	19.05	26.67	33.78
C6351WR-5P-M	25.40	33.02	40.13
C6351WR-6P-M	31.75	39.37	46.48
C6351WR-7P-M	38.10	45.72	52.83
C6351WR-8P-M	44.45	52.07	59.18
C6351WR-9P-M	50.80	58.42	65.53
C6351WR-10P-M	57.15	64.77	71.88

Unit: mm

C6351WR-F

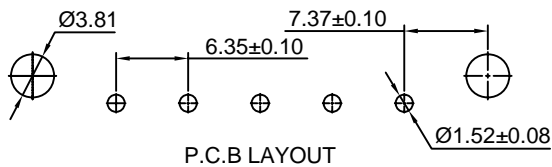
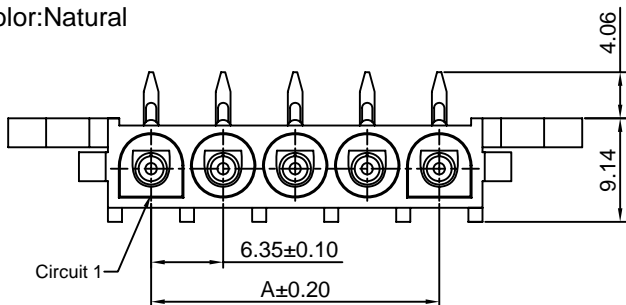
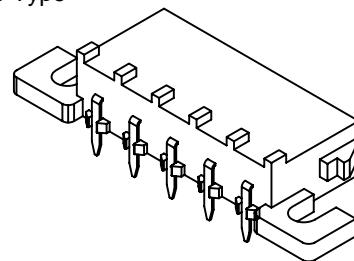
6.35mm Pitch 90° Single Row Wafer-Female Type

Reference Informations:

- *Material: Pin: Brass/Tin over Nickel
Insulator: Nylon 66, UL94V-2 or UL94V-0
- *Mates with CJT C6351HF series single row Housing
- *Color: Natural

Ordering Information:
C6351WR-XP-F - ** - **
1 2 3

1. Part No.
2. Material:
(blank): UL94V-2 / Natural
V0: UL94V-0 / White
3. Finish
(blank): Tin over Nickel
G: Gold over Nickel



Ordering Information & Dimensions:

PART NO.	Dimensions		
	A	B	C
C6351WR-2P-F	6.35	13.97	21.08
C6351WR-3P-F	12.70	20.32	27.43
C6351WR-4P-F	19.05	26.67	33.78
C6351WR-5P-F	25.40	33.02	40.13
C6351WR-6P-F	31.75	39.37	46.48
C6351WR-7P-F	38.10	45.72	52.83
C6351WR-8P-F	44.45	52.07	59.18
C6351WR-9P-F	50.80	58.42	65.53
C6351WR-10P-F	57.15	64.77	71.88

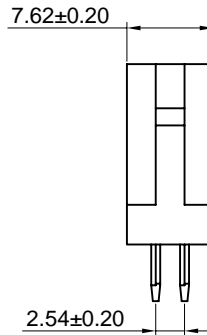
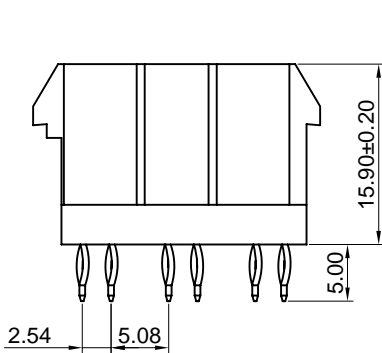
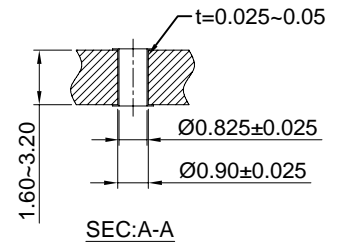
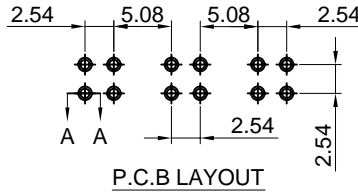
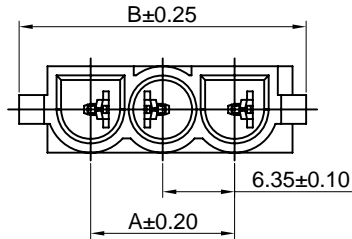
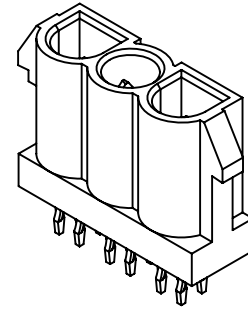
Unit: mm

C6351WVB

6.35mm pitch 180° Single Row Wafer

Reference Informations:

- *Material: Pin: Brass/Tin over Nickel
Insulator: PBT, UL94V-0
- *Mates with CJT C6351HF-2P, 3P series Housing
- *Color: Black



Ordering Information & Dimensions:

PART NO.	Dimensions	
	A	B
C6351WVB-2P	6.35	18.95
C6351WVB-3P	12.70	25.30

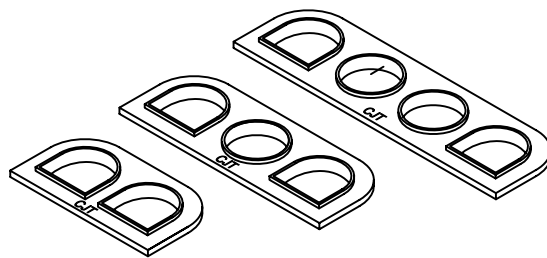
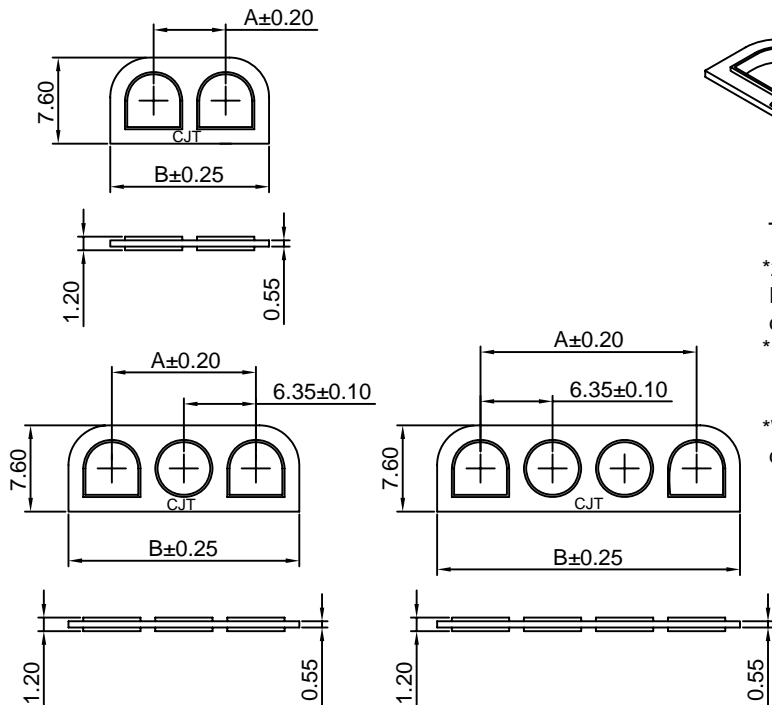
Unit: mm

C6351HFI

6.35mm Pitch Interface Seal

Reference Informations:

- *Material:Silicone rubber
- *Used in CJT C6351HF series Housing
- *Color:Blue



Technical Requirements:

- *2.79mm-3.30mm insulation diameter passed European IP sealing level #5/7(swirling dust/immersion to 1 meter for 30 minutes)
- *1.52mm-2.79mm insulation diameter passed European IP sealing level #5/6(swirling dust/heavy seas)
- *Wire AWG range is #20-14 with insulation diameter range 1.52mm-3.3mm

Ordering Information & Dimensions:

PART NO.	Dimensions	
	A	B
C6351HFI-2P	6.35	14.00
C6351HFI-3P	12.70	20.35
C6351HFI-4P	19.05	26.70

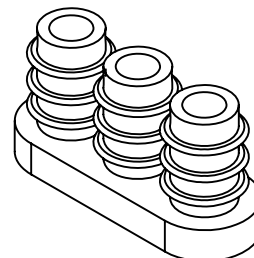
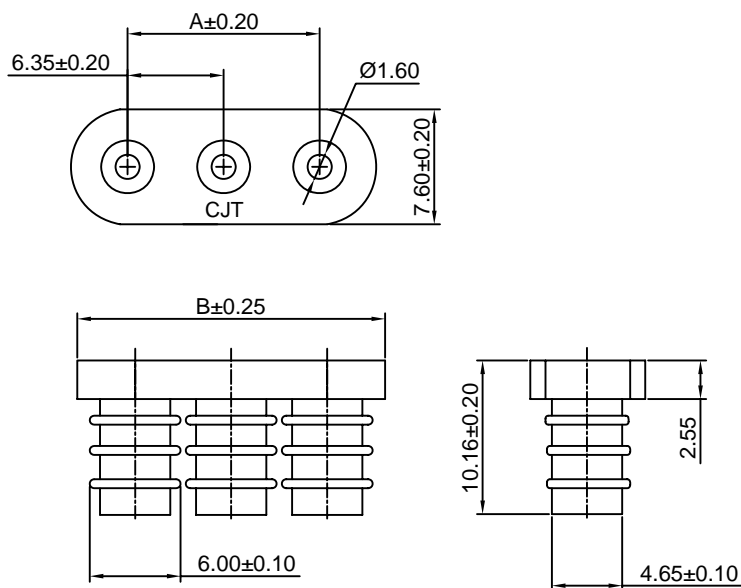
Unit: mm

C6351S

6.35mm Pitch Wire Seal

Reference Informations:

- *Material:Silicone rubber
- *Used in CJT C6351HF or C6351HM series Housing
- *Color:Blue



Technical Requirements:

- *2.79mm-3.30mm insulation diameter passed European IP sealing level #5/7(swirling dust/immersion to 1 meter for 30 minutes)
- *1.52mm-2.79mm insulation diameter passed European IP sealing level #5/6(swirling dust/heavy seas)
- *Wire AWG range is #20-14 with insulation diameter range 1.52mm-3.3mm

Ordering Information & Dimensions:

PART NO.	Dimensions	
	A	B
C6351S-2P	6.35	14.00
C6351S-3P	12.70	20.35
C6351S-4P	19.05	26.70

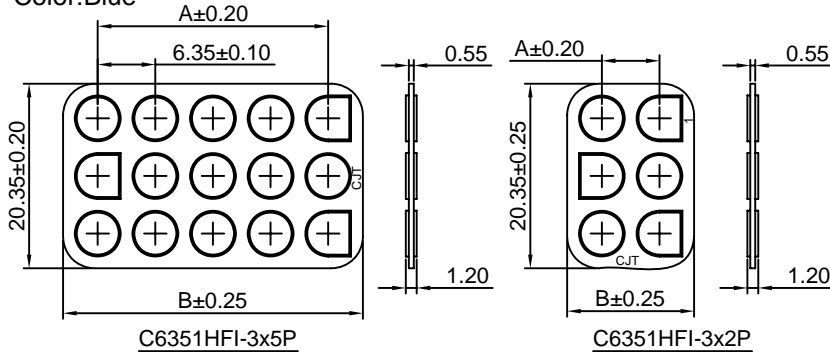
Unit: mm

C6351HFI-3

6.35mm Pitch Interface Seal

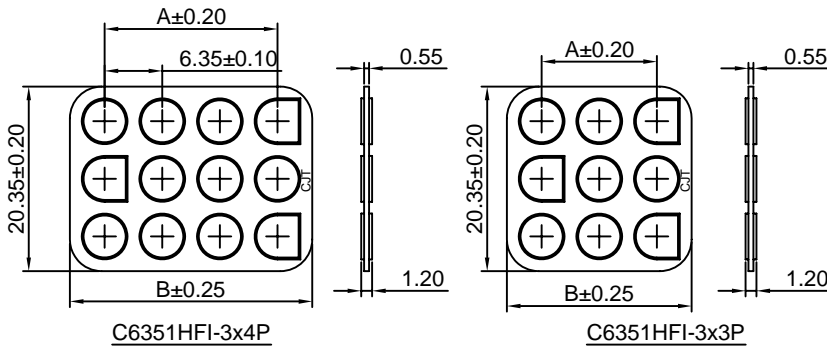
Reference Informations:

- *Material:Silicone rubber
- *Used in CJT C6351HF series Housing
- *Color:Blue



Technical Requirements:

- *2.79mm-3.30mm insulation diameter passed European IP sealing level #5/7(swirling dust/immersion to 1 meter for 30 minutes)
- *1.52mm-2.79mm insulation diameter passed European IP sealing level #5/6(swirling dust/heavy seas)
- *Wire AWG range is #20-14 with insulation diameter range 1.52mm-3.3mm



Ordering Information & Dimensions:

PART NO.	Dimensions	
	A	B
C6351HFI-3x2P	6.35	14.00
C6351HFI-3x3P	12.70	20.35
C6351HFI-3x4P	19.05	26.70
C6351HFI-3x5P	25.40	33.05

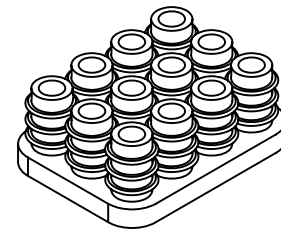
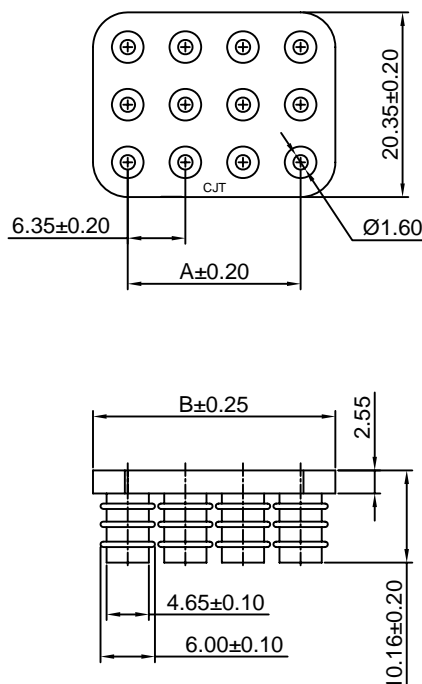
Unit: mm

C6351S-3

6.35mm Pitch Wire Seal

Reference Informations:

- *Material:Silicone rubber
- *Used in CJT C6351HF or C6351HM series Housing
- *Color:Blue



Technical Requirements:

- *2.79mm-3.30mm insulation diameter passed European IP sealing level #5/7(swirling dust/immersion to 1 meter for 30 minutes)
- *1.52mm-2.79mm insulation diameter passed European IP sealing level #5/6(swirling dust/heavy seas)
- *Wire AWG range is #20-14 with insulation diameter range 1.52mm-3.3mm

Ordering Information & Dimensions:

PART NO.	Dimensions	
	A	B
C6351S-3x2P	6.35	14.00
C6351S-3x3P	12.70	20.35
C6351S-3x4P	19.05	26.70
C6351S-3x5P	25.40	33.05

Unit: mm