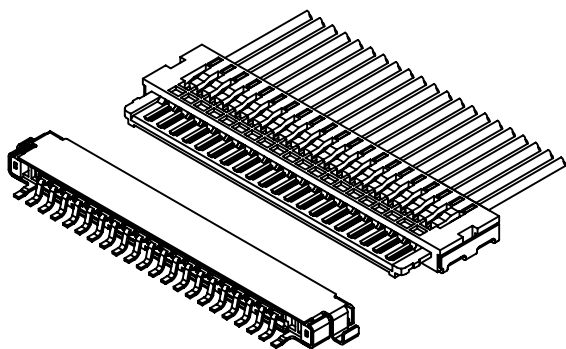
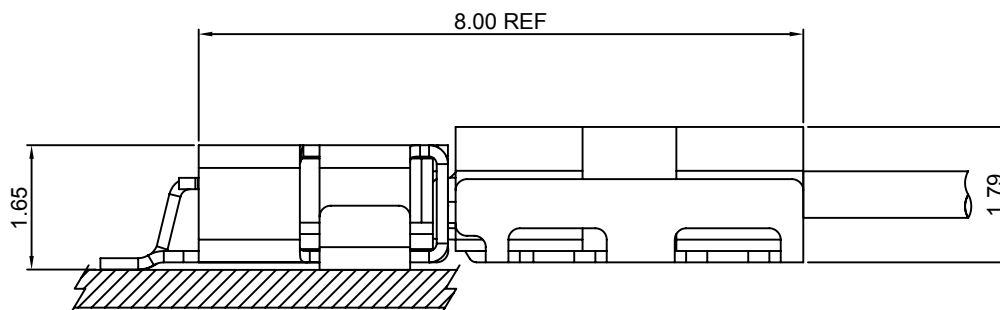


Specifications

- Current rating:1A AC,DC
Voltage rating:200V AC,DC
Temperature range:-40°C~+105°C
Contact resistance:40mΩMax.
Insulation resistance:100MΩMin.
Withstanding voltage:500V AC/minute
Compliant with RoHS and REACH
Meet the HF/Halogen Free,need to customize
Contact CJT for details



Assembly layout

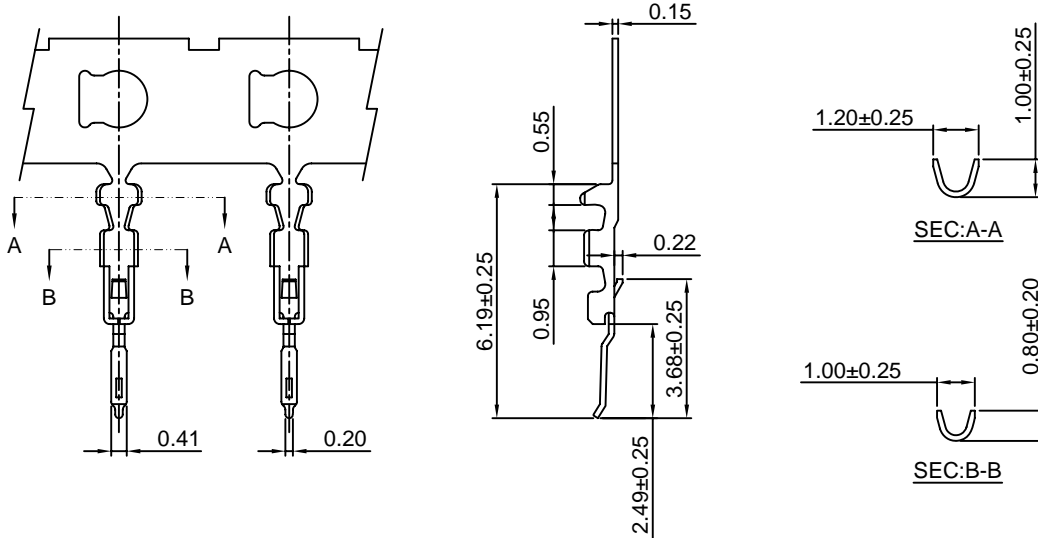


A1001-T

1.00mm pitch Crimp Terminal

Reference Informations:

*Used in CJT A1001 series Housing



Ordering information & Specifications:

Unit:mm

Part NO	Wire Range	Insulation O.D.	Material	Finish	Qty/reel
A1001-GP	AWG#28-#36	0.50mm(max)	Phosphor Bronze	Gold over Nickel	15,000 PCS

A1001H

1.00mm pitch Housing

Reference Informations:

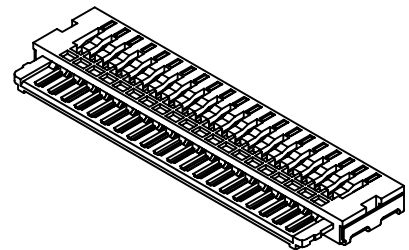
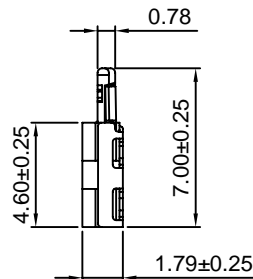
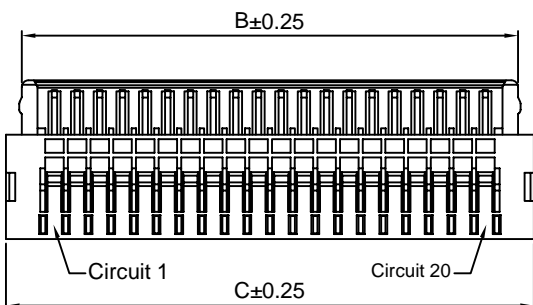
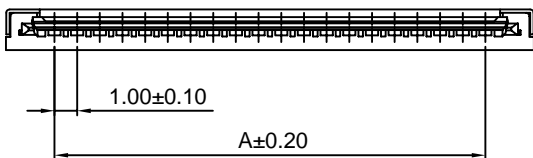
*Material: Insulator:Nylon 46,UL94V-0

Shell:Phosphor Bronze/Tin over Nickel

*Suitable CJT A1001 series Terminal

*Mates with CJT A1001 series Wafer

*Color:Ivory



Ordering Information & Dimensions:

PART NO.	Dimensions		
	A	B	C
A1001H-20P	19.00	21.88	23.28
A1001H-30P	29.00	31.88	33.28

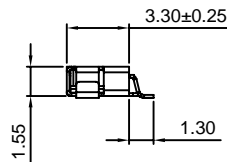
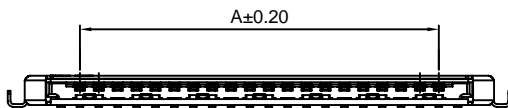
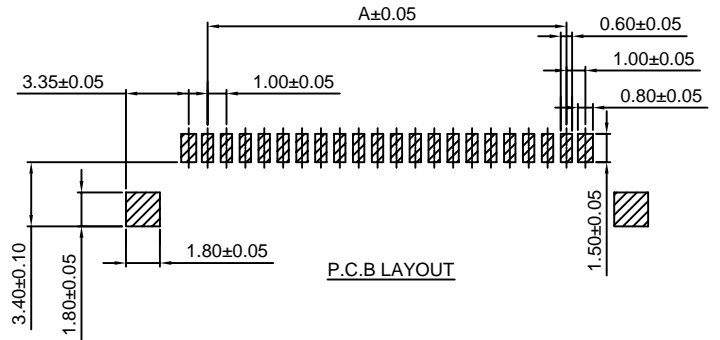
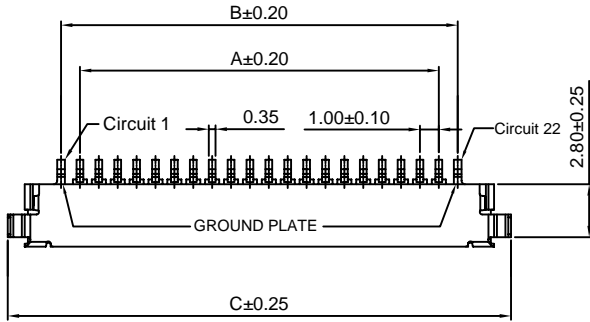
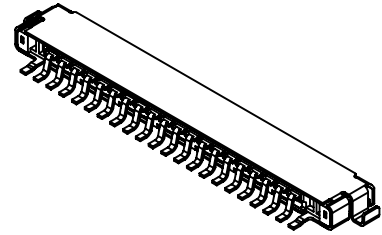
Unit: mm

A1001WR-S

1.00mm pitch 90° Wafer-SMT TYPE

Reference Informations:

- *Material: Pin: Phosphor Bronze/Tin over Nickel on solder area
Gold over Nickel on contact area
- Shell: Phosphor Bronze/Tin over Nickel
- Insulator: Nylon 6T, UL94V-0
- *Mates with CJT A1001 series Housing
- *Color: Ivory



Ordering Information & Dimensions:

PART NO.	Dimensions		
	A	B	C
A1001WR-S-20P	19.00	21.88	26.65
A1001WR-S-30P	29.00	31.88	36.65

Unit: mm