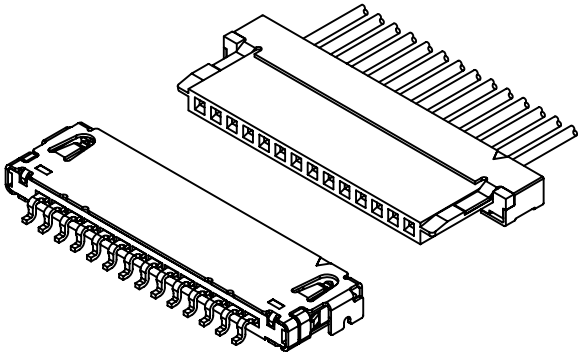
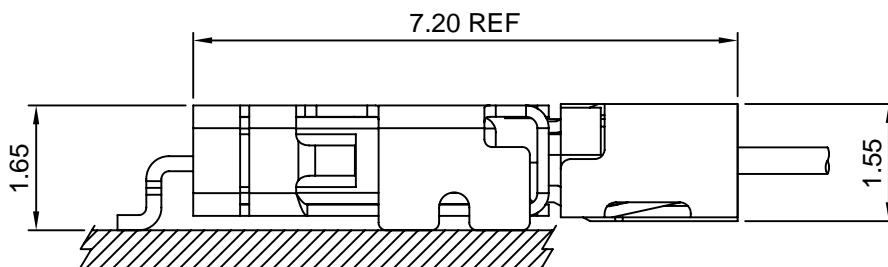


Specifications

- Current rating:1A AC,DC
Voltage rating:100V AC,DC
Temperature range:-40°C~+105°C
Contact resistance:30mΩMax.
Insulation resistance:500MΩMin.
Withstanding voltage:500V AC/minute
Compliant with RoHS and REACH
Meet the HF/Halogen Free,need to customize
Contact CJT for details



Assembly layout

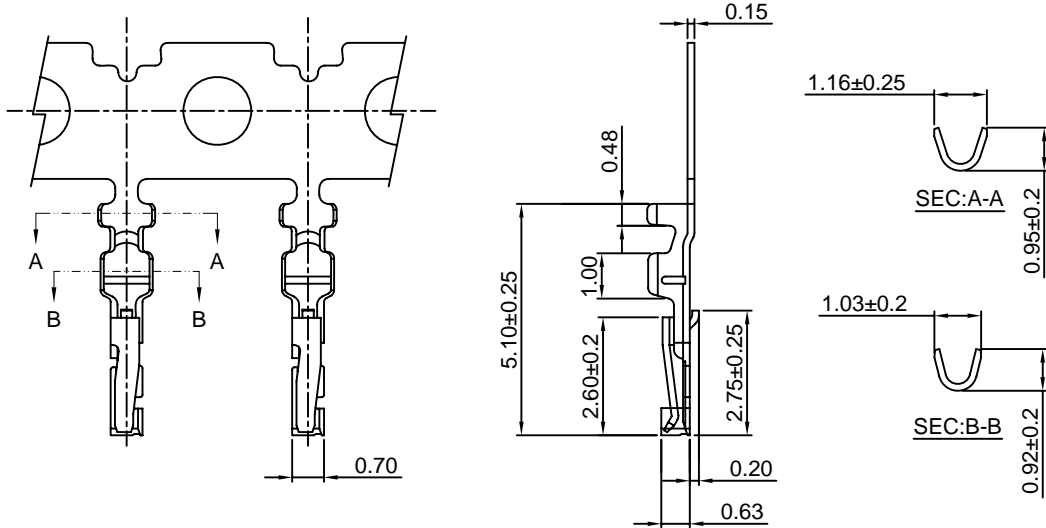


A1004-T

1.00mm pitch Crimp Terminal

Reference Informations:

*Used in CJT A1004 series Housing



Ordering information & Specifications:

Unit:mm

| Part NO. | Wire Range | Insulation O.D. | Material | Finish | Qty/reel |
|----------|------------|-----------------|-----------------|------------------|------------|
| A1004-GP | AWG#28-#32 | 0.60mm(max) | Phosphor Bronze | Gold over Nickel | 15,000 PCS |

A1004H

1.00mm pitch Housing

Reference Informations:

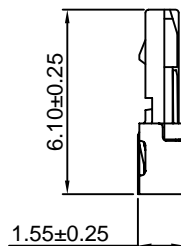
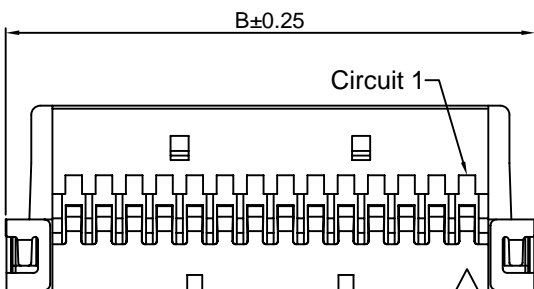
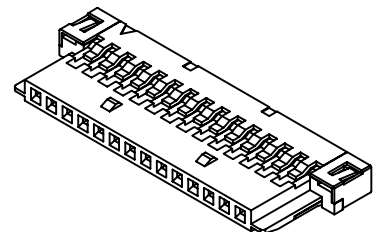
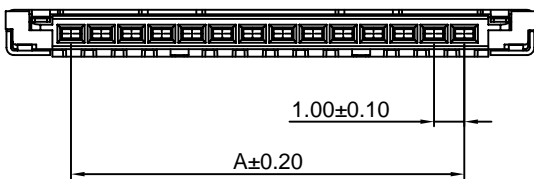
*Material: Insulator:Nylon 66,UL94V-0

Shell:Phosphor Bronze/Tin over Nickel

*Suitable CJT A1004 series Terminal

*Mates with CJT A1004 series Wafer

*Color:Ivory



Ordering Information & Dimensions:

| PART NO. | Dimensions | |
|------------|------------|-------|
| | A | B |
| A1004H-8P | 7.00 | 11.50 |
| A1004H-14P | 13.00 | 17.50 |
| A1004H-20P | 19.00 | 23.50 |
| A1004H-30P | 29.00 | 33.50 |

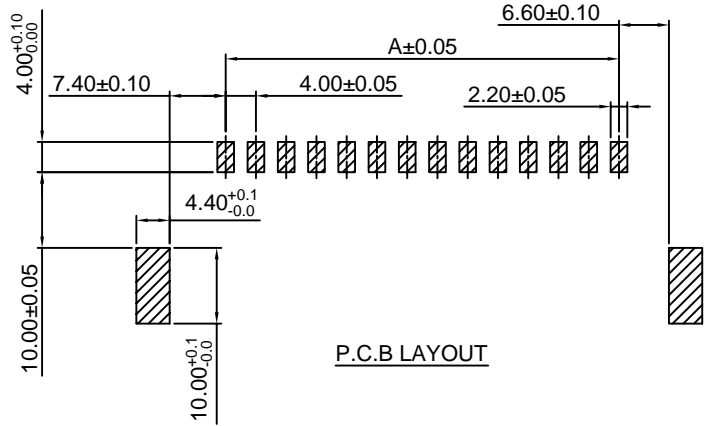
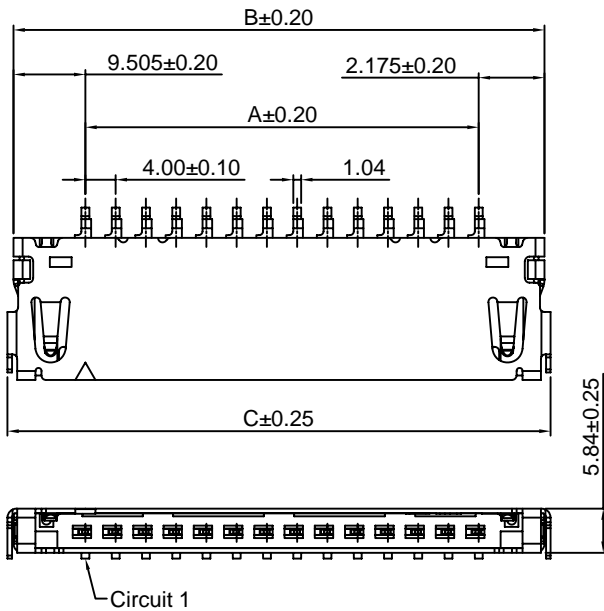
Unit: mm

A1004WR-S

1.00mm pitch 90° Wafer-SMT TYPE

Reference Informations:

- *Material: Pin: Phosphor Bronze/Gold over Nickel
Shell: Phosphor Bronze/Tin over Nickel
Insulator: Nylon 6T, UL94V-0
- *Mates with CJT A1004 series Housing
- *Color: Ivory



P.C.B LAYOUT

Ordering Information & Dimensions:

| PART NO. | Dimensions | |
|---------------|------------|-------|
| | A | B |
| A1004WR-S-8P | 7.00 | 11.50 |
| A1004WR-S-14P | 13.00 | 17.50 |
| A1004WR-S-20P | 19.00 | 23.50 |
| A1004WR-S-30P | 29.00 | 33.50 |

Unit: mm

