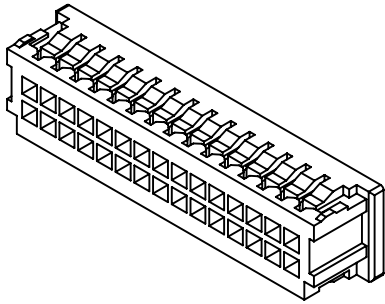


## Specifications

- Current rating:1A AC,DC  
Voltage rating:150V AC,DC  
Temperature range:-40°C~+105°C  
Contact resistance:20mΩMax.  
Insulation resistance:100MΩMin.  
Withstanding voltage:250V AC/minute  
\*Compliant with RoHS and REACH\*  
\*Meet the HF/Halogen Free,need to customize\*  
\*Contact CJT for details\*

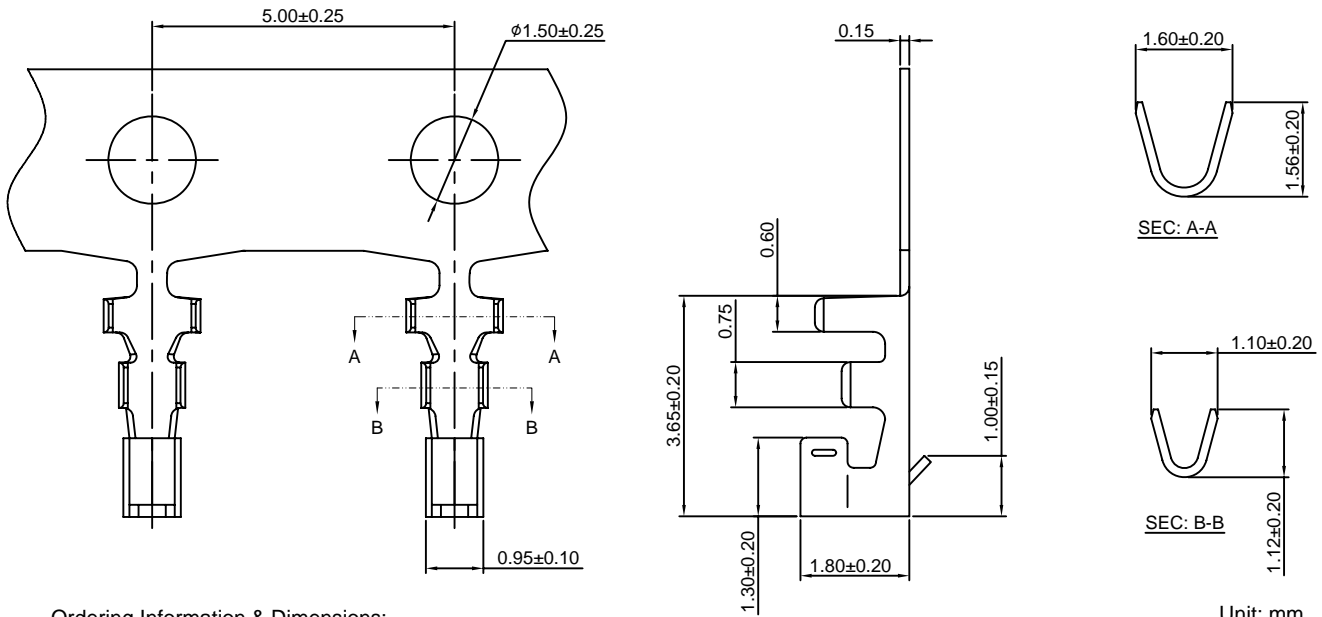


**A1258-T**

1.25mm pitch Crimp Terminal

**Reference Informations:**

\*Used in CJT A1258H-2xXP series Housing



Ordering Information & Dimensions:

Part NO.	Wire Range	Insulation O.D.	Material	Finish	Qty/reel
A1258-TP	AWG#28-#32	0.90mm(max)	Phosphor Bronze	Tin over Nickel	15,000 PCS
A1258-GP	AWG#28-#32	0.90mm(max)	Phosphor Bronze	Gold over Nickel	15,000 PCS

Optional Gold plating available but MOQ requested

Unit: mm

**A1258H-2xXP**

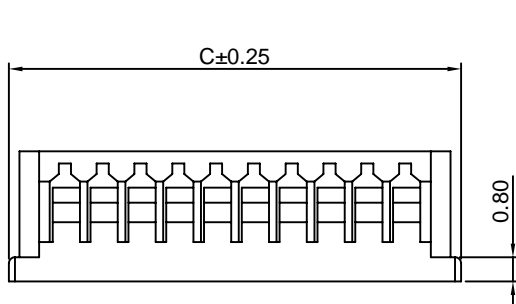
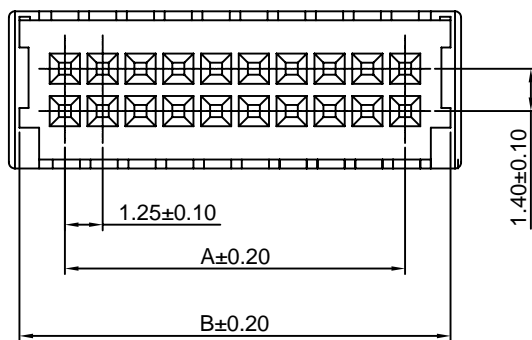
1.25mm pitch Housing

**Reference Informations:**

\*Material:Nylon 66,UL94V-0

\*Suitable CJT A1258-T series Terminal

\*Color:Gray



**Ordering Information:**

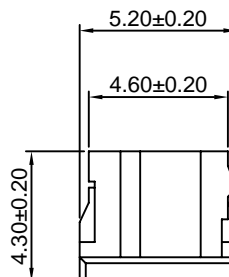
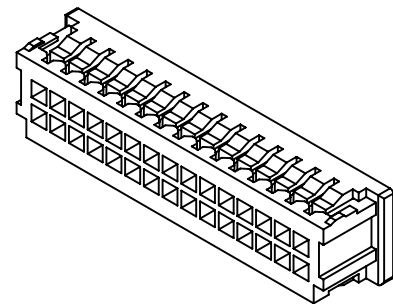
A1258H-2xXP - \*\*\*  
1 2

1.Part No.

2.Material:

(Blank):Nylon 66,UL94V-0

GWT :Nylon 66,UL94V-0 GWT 750°C



**Ordering Information & Dimensions:**

PART NO.	Dimensions		
	A	B	C
2x10P	11.25	14.25	14.95
2x15P	17.50	20.50	21.20
2x20P	23.75	26.75	27.45

Unit: mm