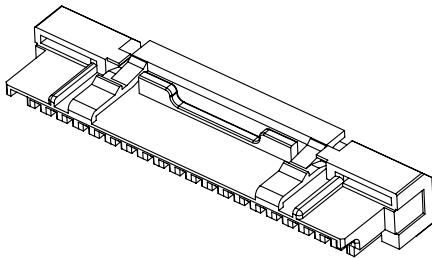
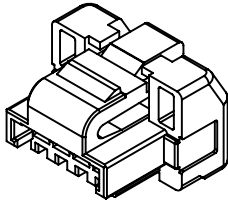


Specifications

- Current rating:1A AC,DC
Voltage rating:200V AC,DC
Temperature range:-40°C~+105°C
Contact resistance:40mΩMax.
Insulation resistance:100MΩMin.
Withstanding voltage:500V AC/minute
Compliant with RoHS and REACH
Meet the HF/Halogen Free,need to customize
Contact CJT for details

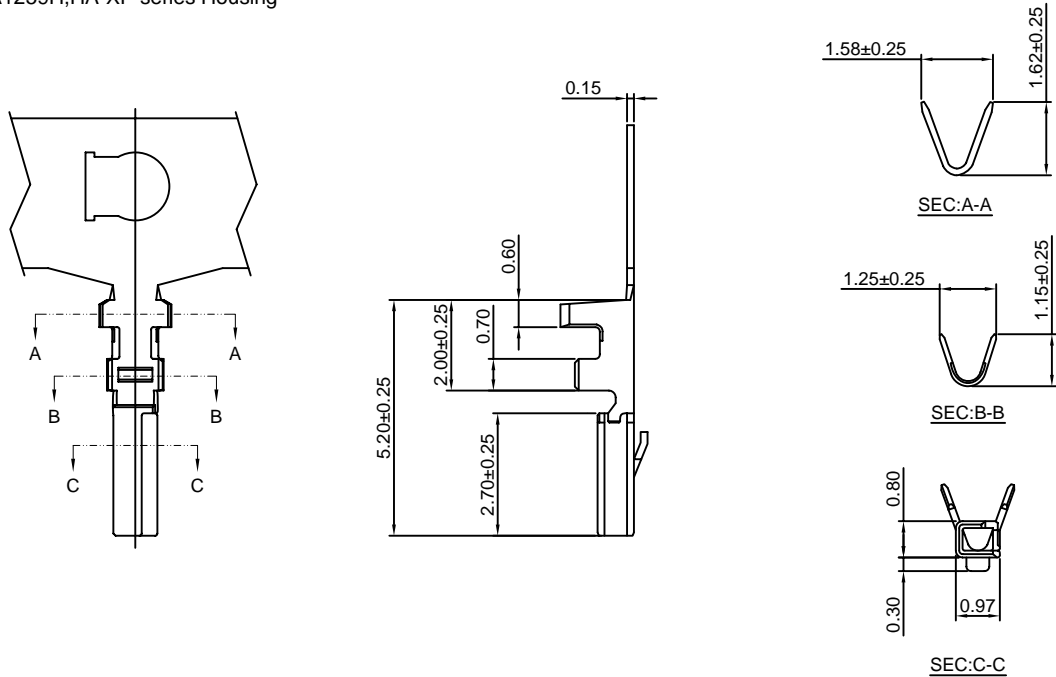


A1259-T

1.25mm pitch Crimp Terminal

Reference Informations:

*Used in CJT A1259H,HA-XP series Housing



Ordering Information & Dimensions:

Unit: mm

Part NO.	Wire Range	Insulation O.D.	Material	Finish	Qty/reel
A1259-TP	AWG#28-#32	1.07mm(max)	Phosphor Bronze	Tin over Nickel	15,000 PCS

A1259H-XP

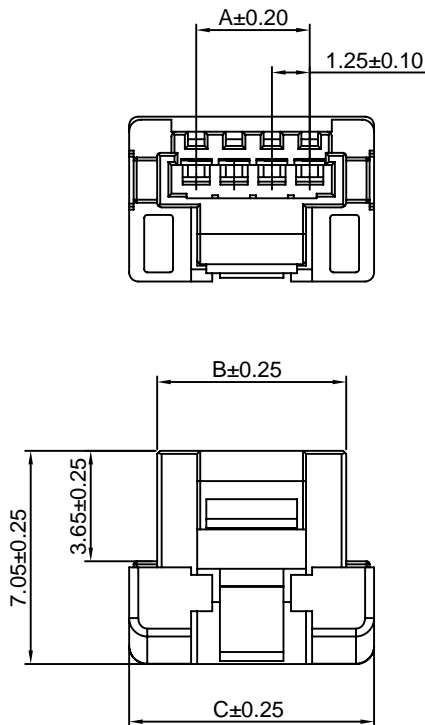
1.25mm pitch Housing

Reference Informations:

*Material:Nylon 66,UL94V-0

*Suitable CJT A1259-T series Terminal

*Color:White



Ordering Information:

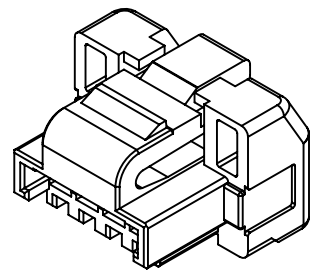
A1259H-XP - ***
1 2

1.Part No.

2.Material:

(Blank):Nylon 66,UL94V-0

GWT :Nylon 66,UL94V-0 GWT 750℃



Ordering Information & Dimensions:

PART NO.	Dimensions		
	A	B	C
2P	1.25	3.75	5.60
3P	2.50	5.00	6.85
4P	3.75	6.25	8.10
5P	5.00	7.50	9.35
6P	6.25	8.75	10.60
7P	7.50	10.00	11.85
8P	8.75	11.25	13.10
9P	10.00	12.50	14.35
10P	11.25	13.75	15.60
11P	12.50	15.00	16.85
12P	13.75	16.25	18.10
13P	15.00	17.50	19.35
14P	16.25	18.75	20.60
15P	17.50	20.00	21.85

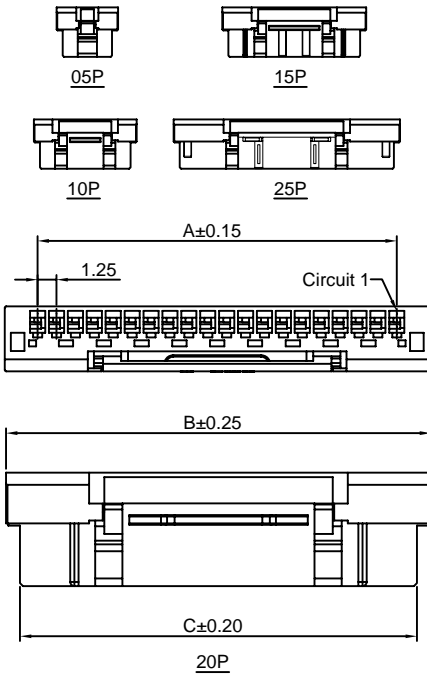
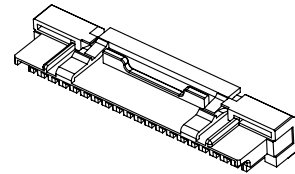
Unit: mm

A1259HA-XP

1.25mm pitch Housing

Reference Informations:

- *Material:Nylon 66,UL94V-0
- *Suitable CJT A1259-T series Terminal
- *Color:White



Ordering Information:

A1259HA-XP - **
1 2

1.Part No.

2.Material:

(blank) :Nylon 66 ,UL94V-0

LCP :LCP ,UL94V-0

GWT :Nylon 66,UL94V-0 GWT 750°C

Ordering Information & Dimensions:

PART NO.	Dimensions		
	A	B	C
5P	5.00	9.35	7.50
10P	11.25	15.60	13.75
15P	17.50	21.85	20.00
20P	23.75	28.10	26.25
25P	30.00	34.35	32.50

Unit: mm