

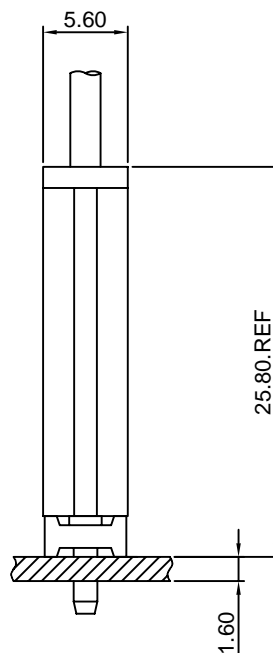
Specifications

Current rating:7A AC,DC
Voltage rating:250V AC,DC
Temperature range:-40°C~+105°C
Contact resistance:10mΩMax.
Insulation resistance:1000MΩMin.
Withstanding voltage:1500V AC/minute
Compliant with RoHS and REACH
Meet the HF/Halogen Free,need to customize
Contact CJT for details

Standards



Assembly layout

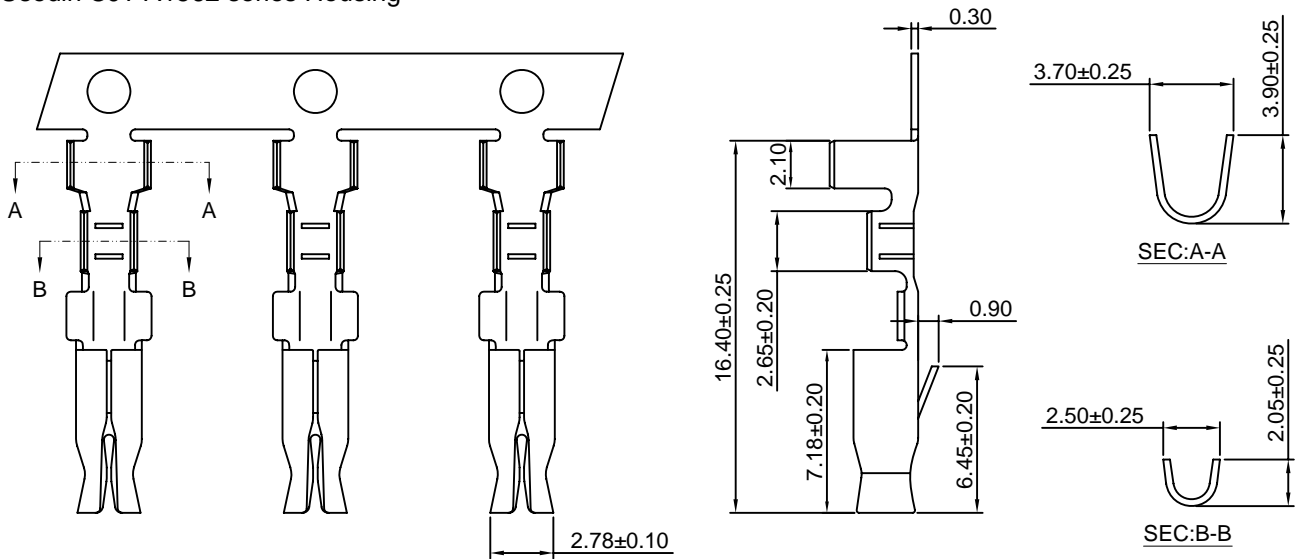


A1562-T

7.50-5.00mm pitch Crimp Terminal

Reference Informations:

* Used in CJT A1562 series Housing



Ordering information & Specifications:

Unit:mm

Part NO.	Wire Range	Insulation O.D.	Material	Finish	Qty/reel
A1562-TB	AWG#18-#24	2.70mm(max)	Brass	Tin over Nickel	6,000 PCS
A1562-TP	AWG#18-#24	2.70mm(max)	Phosphor Bronze	Tin over Nickel	6,000 PCS
A1562-GB	AWG#18-#24	2.70mm(max)	Brass	Gold over Nickel	6,000 PCS
A1562-GP	AWG#18-#24	2.70mm(max)	Phosphor Bronze	Gold over Nickel	6,000 PCS

Optional Gold plating available but MOQ requested

A1562H

7.50-5.00mm pitch Housing

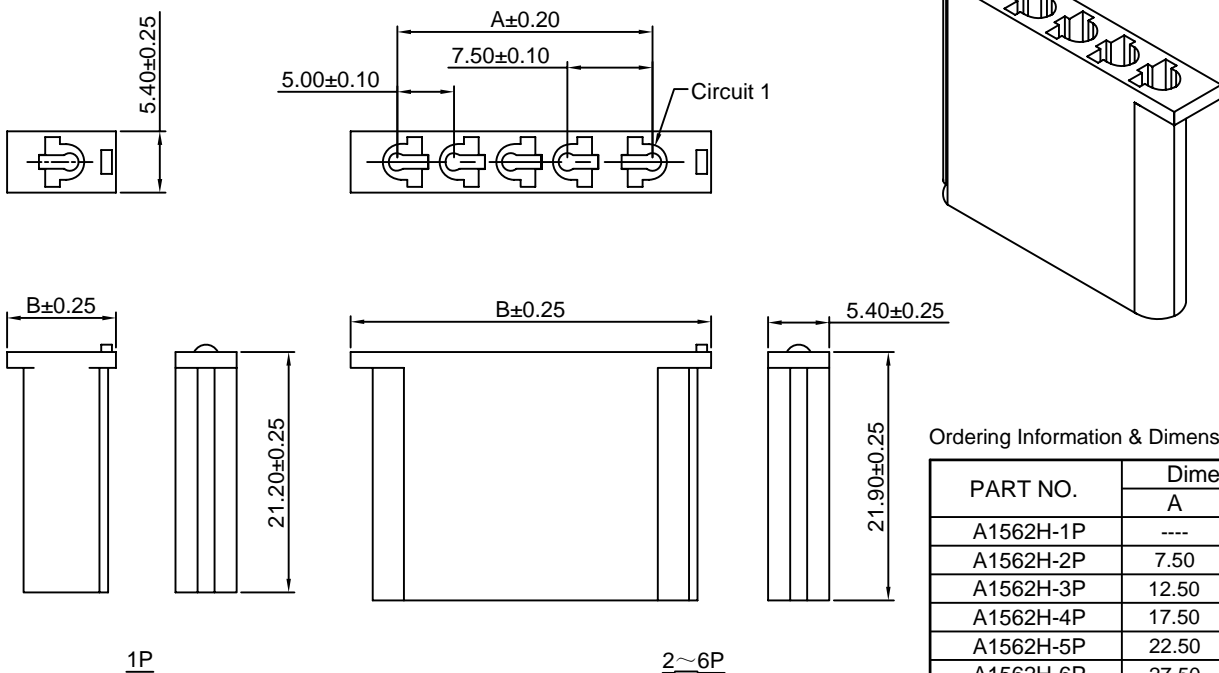
Reference Informations:

*Material:Nylon 66,UL94V-0

*Suitable CJT A1562 series Terminal

*Mates with CJT A1562 series Wafer

*Color:White



Ordering Information & Dimensions

PART NO.	Dimensions	
	A	B
A1562H-1P	----	9.60
A1562H-2P	7.50	16.00
A1562H-3P	12.50	21.80
A1562H-4P	17.50	26.80
A1562H-5P	22.50	31.80
A1562H-6P	27.50	36.80

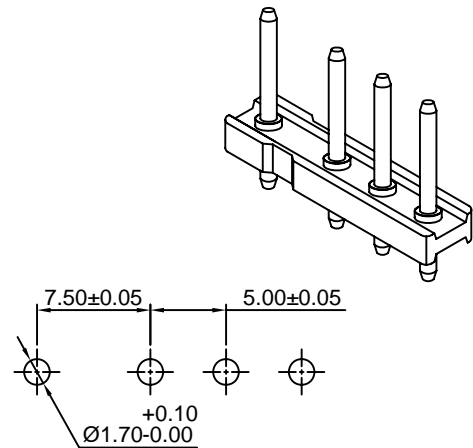
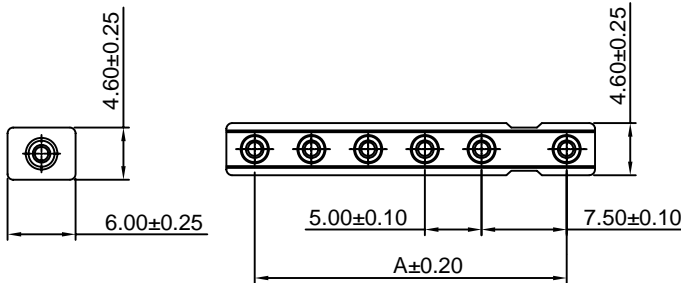
Unit: mm

A1562WV

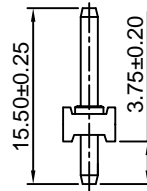
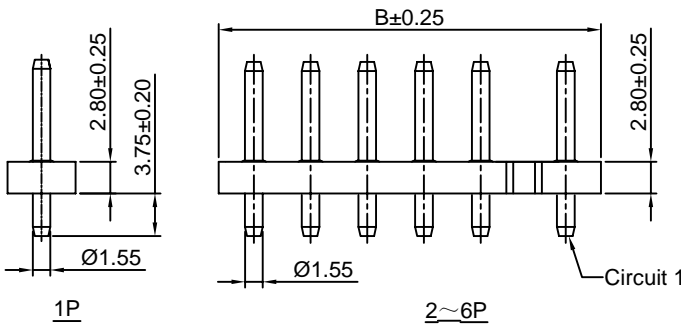
7.50-5.00mm pitch 180° Wafer

Reference Informations:

- *Material: Pin: Brass/Tin over Nickel
Insulator: Nylon 66, UL94V-0
- *Mates with CJT A1562 series Housing
- *Color: White



P.C.B LAYOUT



Ordering Information & Dimensions

PART NO.	Dimensions	
	A	B
A1562WV-1P	-----	6.00
A1562WV-2P	7.50	12.60
A1562WV-3P	12.50	17.60
A1562WV-4P	17.50	22.60
A1562WV-5P	22.50	27.60
A1562WV-6P	27.50	32.60

Unit: mm