

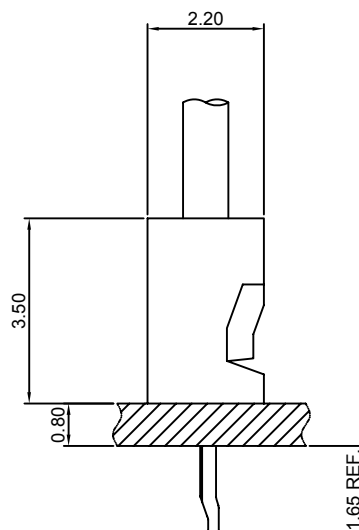
Specifications

- Current rating:1A AC,DC
Voltage rating:125V AC,DC
Temperature range:-40°C~+105°C
Contact resistance:20mΩMax.
Insulation resistance:1000MΩMin.
Withstanding voltage:250V AC/minute
Compliant with RoHS and REACH
Meet the HF/Halogen Free,need to customize
Contact CJT for details

Standards



Assembly layout

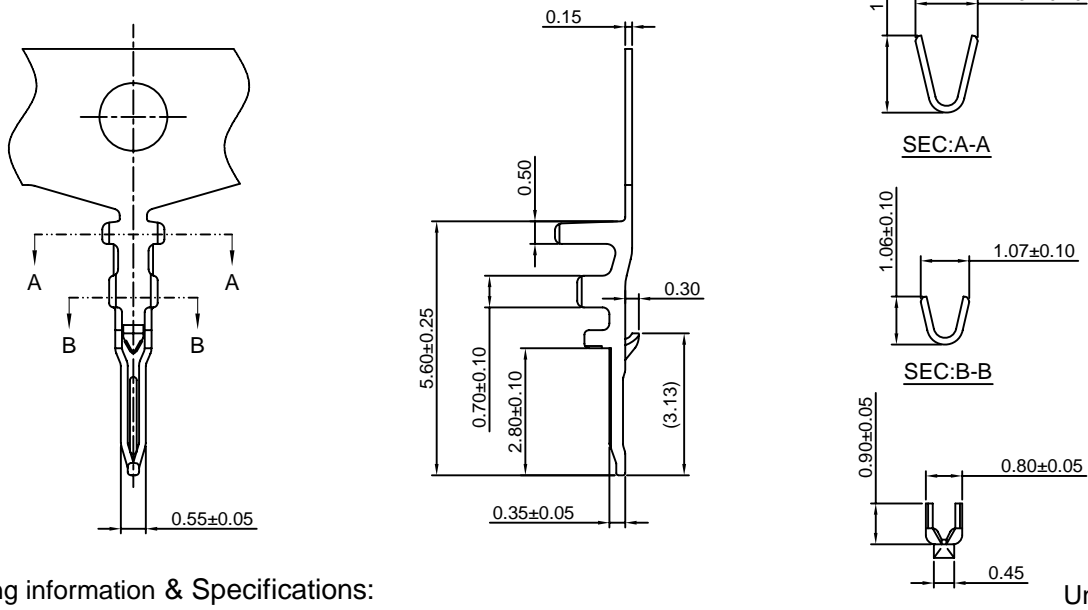


B1251-T

1.25mm pitch Crimp Terminal

Reference Informations:

*Used in CJT B1251 series Housing



Ordering information & Specifications:

| Part NO. | Wire Range | Insulation O.D. | Material | Finish | Qty/reel |
|----------|------------|-----------------|-----------------|------------------|------------|
| B1251-TP | AWG#28-#32 | 1.00mm(max) | Phosphor Bronze | Tin over Nickel | 15,000 PCS |
| B1251-GP | AWG#28-#32 | 1.00mm(max) | Phosphor Bronze | Gold over Nickel | 15,000 PCS |

Optional Gold plating available but MOQ requested

B1251H

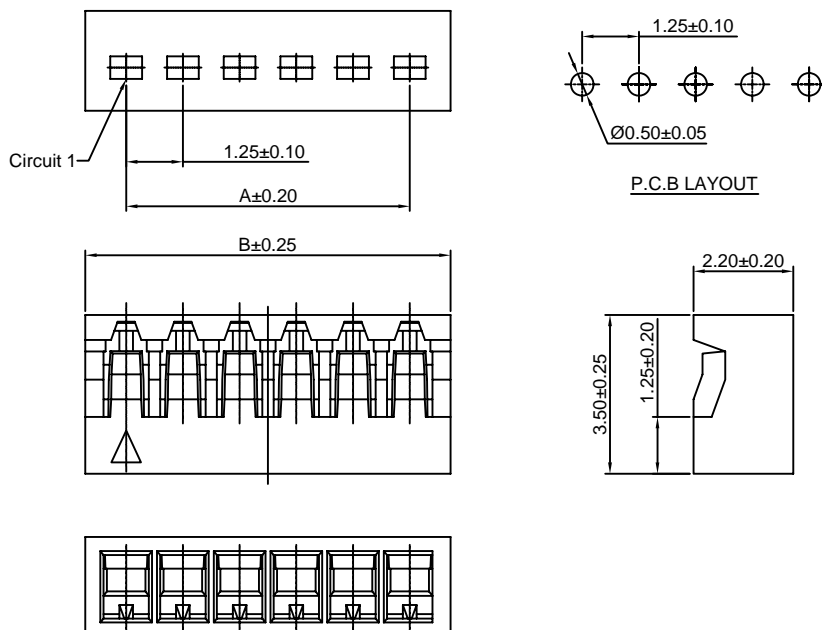
1.25mm pitch Housing

Reference Informations:

*Material:Nylon 66,UL94V-0

*Suitable CJT B1251 series Terminal

*Color:White



Ordering Information & Dimensions:

| PART NO. | Dimensions | |
|------------|------------|-------|
| | A | B |
| B1251H-2P | 1.25 | 3.05 |
| B1251H-3P | 2.50 | 4.30 |
| B1251H-4P | 3.75 | 5.55 |
| B1251H-5P | 5.00 | 6.75 |
| B1251H-6P | 6.25 | 8.00 |
| B1251H-7P | 7.50 | 9.25 |
| B1251H-8P | 8.75 | 10.50 |
| B1251H-9P | 10.00 | 11.75 |
| B1251H-10P | 11.25 | 13.00 |
| B1251H-11P | 12.50 | 14.25 |
| B1251H-12P | 13.75 | 15.50 |
| B1251H-13P | 15.00 | 16.75 |
| B1251H-14P | 16.25 | 18.00 |
| B1251H-15P | 17.50 | 19.25 |

Unit: mm