

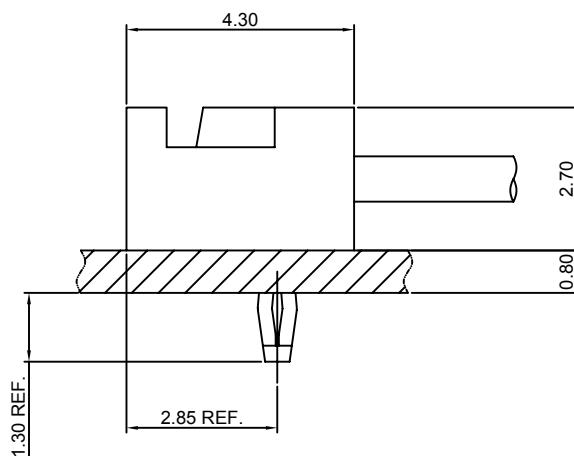
Specifications

- Current rating:1A AC,DC
- Voltage rating:200V AC,DC
- Temperature range:-40°C~+105°C
- Contact resistance:20mΩMax.
- Insulation resistance:500MΩMin.
- Withstanding voltage:500V AC/minute
- *Compliant with RoHS and REACH*
- *Meet the HF/Halogen Free,need to customize*
- *Contact CJT for details*

Standards



Assembly layout

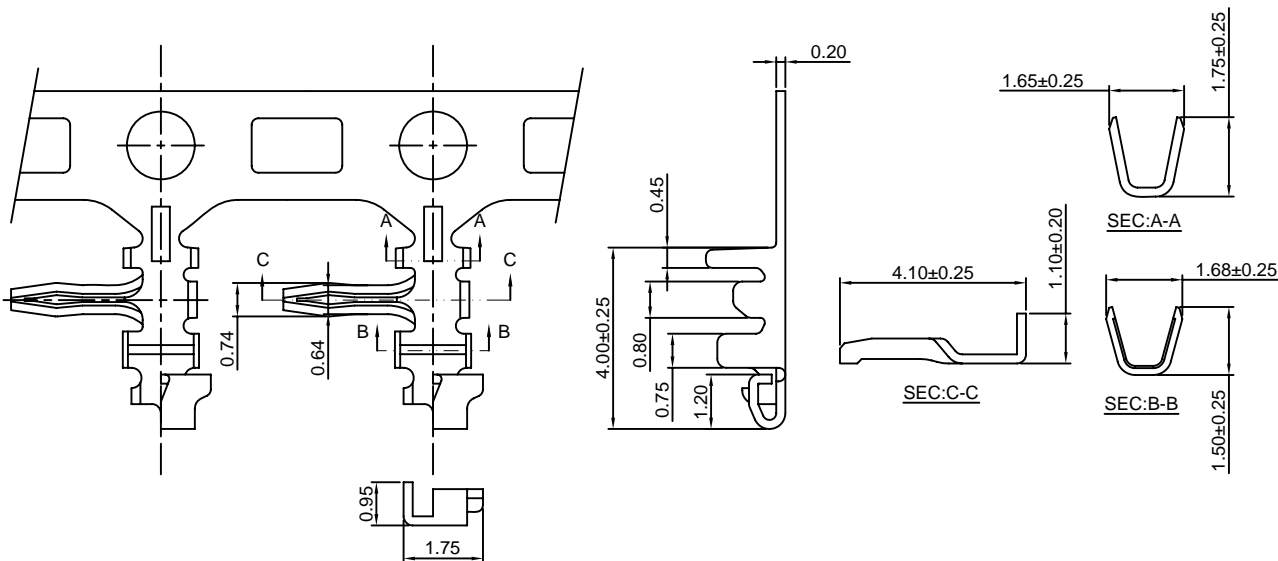


B1501-T

1.50mm pitch Crimp Terminal

Reference Informations:

*Used in CJT B1501 series Housing



Ordering information & Specifications:

Unit:mm

Part NO.	Wire Range	Insulation O.D.	Material	Finish	Qty/reel
B1501-TP	AWG#28-#30	1.00mm(max)	Phosphor Bronze	Tin over Nickel	15,000 PCS
B1501-GP	AWG#28-#30	1.00mm(max)	Phosphor Bronze	Gold over Nickel	15,000 PCS

Optional Gold plating available but MOQ requested

B1501H

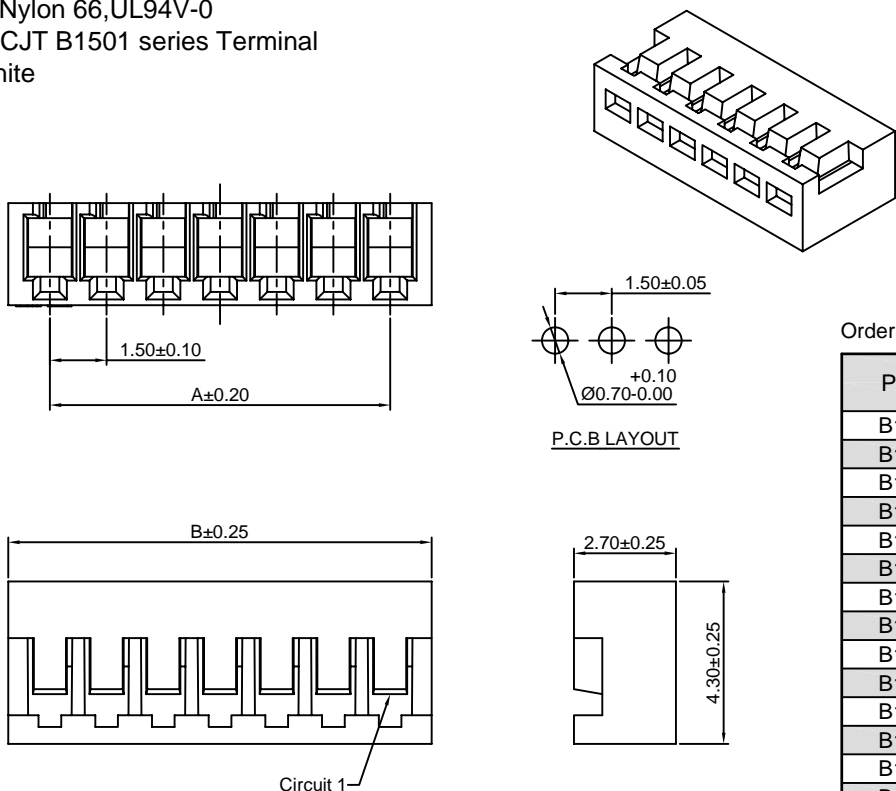
1.50mm pitch Housing

Reference Informations:

*Material:Nylon 66,UL94V-0

*Suitable CJT B1501 series Terminal

*Color:White



Ordering Information & Dimensions:

PART NO.	Dimensions	
	A	B
B1501H-2P	1.50	3.70
B1501H-3P	3.00	5.20
B1501H-4P	4.50	6.70
B1501H-5P	6.00	8.20
B1501H-6P	7.50	9.70
B1501H-7P	9.00	11.20
B1501H-8P	10.50	12.70
B1501H-9P	12.00	14.20
B1501H-10P	13.50	15.70
B1501H-11P	15.00	17.20
B1501H-12P	16.50	18.70
B1501H-13P	18.00	20.20
B1501H-14P	19.50	21.70
B1501H-15P	21.00	23.20

Unit: mm