

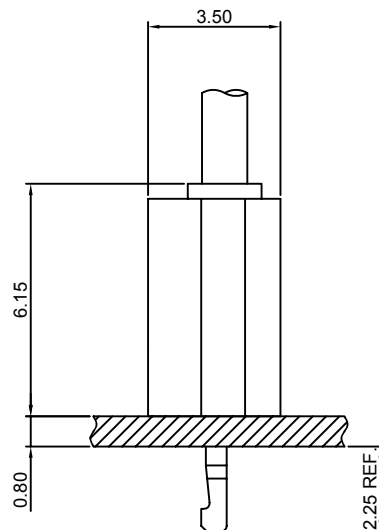
## Specifications

- Current rating:1A AC,DC
- Voltage rating:250V AC,DC
- Temperature range:-40°C~+105°C
- Contact resistance:20mΩMax.
- Insulation resistance:500MΩMin.
- Withstanding voltage:1000V AC/minute
- \*Compliant with RoHS and REACH\*
- \*Meet the HF/Halogen Free need to customize\*
- \*Contact CJT for details\*

## Standards



## Assembly layout

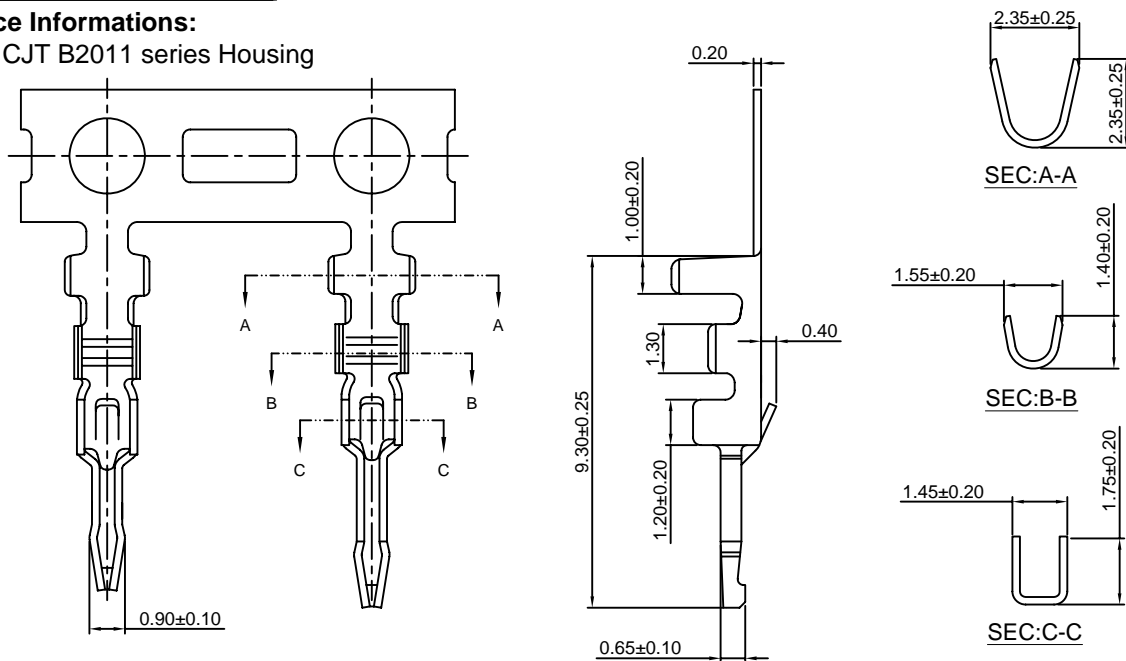


## B2011-T

2.00mm pitch Crimp Terminal

### Reference Informations:

\*Used in CJT B2011 series Housing



Ordering information & Specifications:

Unit:mm

Part NO.	Wire Range	Insulation O.D.	Material	Finish	Qty/reel
B2011-TB	AWG#24-#30	1.30mm(max)	Brass	Tin over Nickel	10,000 PCS
B2011-TP	AWG#24-#30	1.30mm(max)	Phosphor Bronze	Tin over Nickel	10,000 PCS
B2011-GB	AWG#24-#30	1.30mm(max)	Brass	Gold over Nickel	10,000 PCS
B2011-GP	AWG#24-#30	1.30mm(max)	Phosphor Bronze	Gold over Nickel	10,000 PCS

Optional Gold plating available but MOQ requested

## B2011H

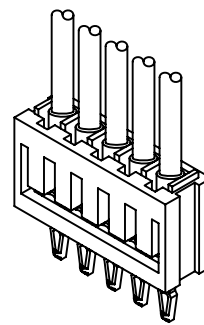
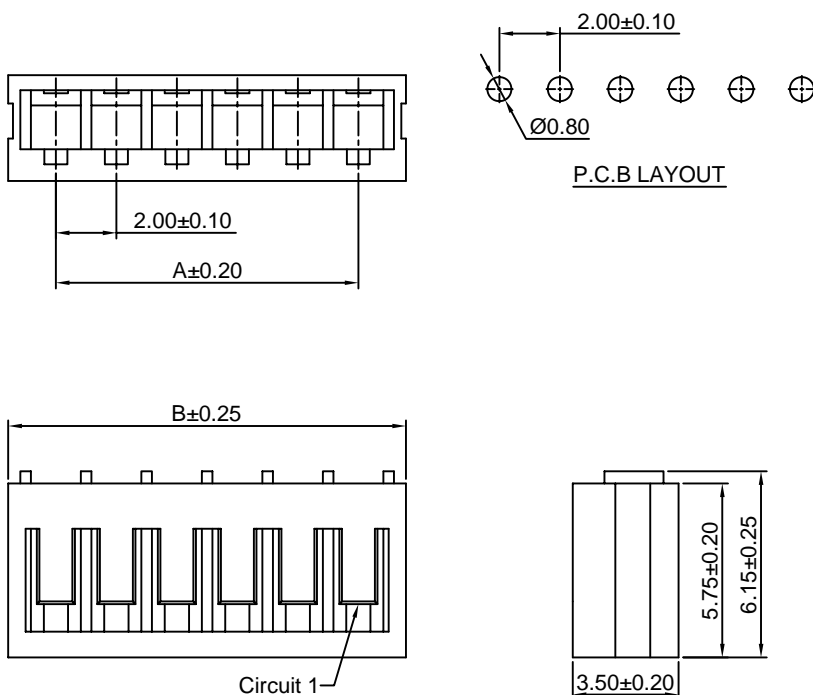
2.00mm pitch Housing

### Reference Informations:

\*Material:Nylon 66,UL94V-0

\*Suitable CJT B2011 series Terminal

\*Color:White



Ordering Information & Dimensions:

PART NO.	Dimensions	
	A	B
B2011H-2P	2.00	5.20
B2011H-3P	4.00	7.20
B2011H-4P	6.00	9.20
B2011H-5P	8.00	11.20
B2011H-6P	10.00	13.20
B2011H-7P	12.00	15.20
B2011H-8P	14.00	17.20
B2011H-9P	16.00	19.20
B2011H-10P	18.00	21.20
B2011H-11P	20.00	23.20
B2011H-12P	22.00	25.20
B2011H-13P	24.00	27.20
B2011H-14P	26.00	29.20
B2011H-15P	28.00	31.20
B2011H-16P	30.00	33.20

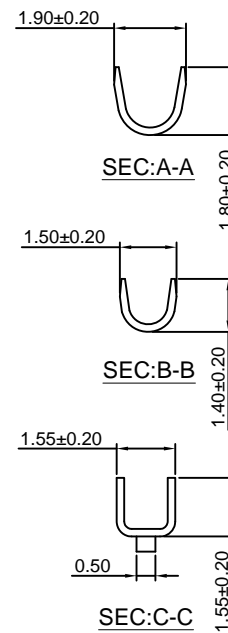
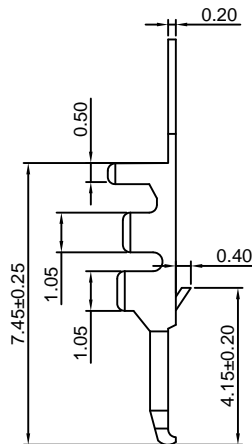
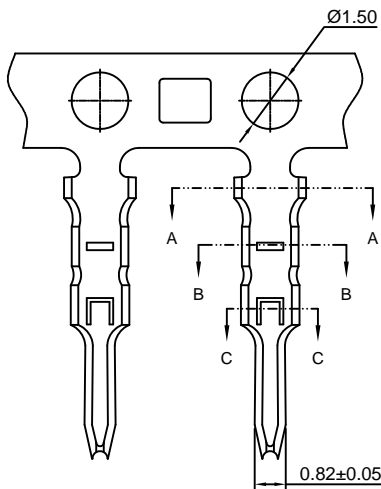
Unit: mm

### B2011-T-A

2.00mm pitch Crimp Terminal

#### Reference Informations:

\*Used in CJT B2011HA series Housing



#### Ordering information & Specifications:

Unit:mm

Part NO.	Wire Range	Insulation O.D.	Material	Finish	Qty/reel
B2011-TB-A	AWG#28-#30	1.00mm(max)	Brass	Tin over Nickel	10,000 PCS
B2011-TP-A	AWG#28-#30	1.00mm(max)	Phosphor Bronze	Tin over Nickel	10,000 PCS
B2011-GB-A	AWG#28-#30	1.00mm(max)	Brass	Gold over Nickel	10,000 PCS
B2011-GP-A	AWG#28-#30	1.00mm(max)	Phosphor Bronze	Gold over Nickel	10,000 PCS

Optional Gold plating available but MOQ requested

### B2011HA

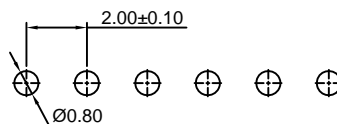
2.00mm pitch Housing

#### Reference Informations:

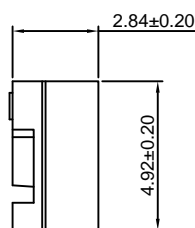
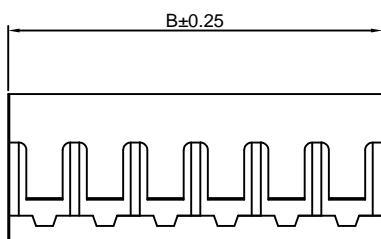
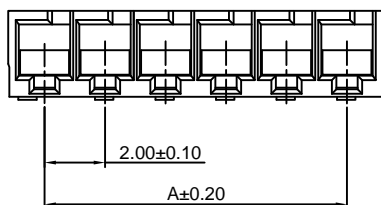
\*Material:Nylon 66,UL94V-0

\*Suitable CJT B2011-T-A series Terminal

\*Color:White



P.C.B LAYOUT



#### Ordering Information & Dimensions:

PART NO.	Dimensions	
	A	B
B2011HA-2P	2.00	4.40
B2011HA-3P	4.00	6.40
B2011HA-4P	6.00	8.40
B2011HA-5P	8.00	10.40
B2011HA-6P	10.00	12.40
B2011HA-7P	12.00	14.40
B2011HA-8P	14.00	16.40
B2011HA-9P	16.00	18.40
B2011HA-10P	18.00	20.40
B2011HA-11P	20.00	22.40
B2011HA-12P	22.00	24.40
B2011HA-13P	24.00	26.40
B2011HA-14P	26.00	28.40
B2011HA-15P	28.00	30.40
B2011HA-16P	30.00	32.40

Unit: mm