

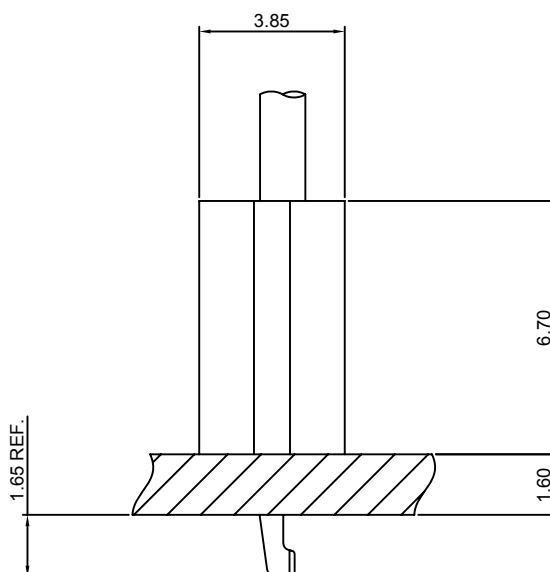
## Specifications

Current rating:3A AC,DC  
Voltage rating:250V AC,DC  
Temperature range:-40°C~+105°C  
Contact resistance:10mΩMax.  
Insulation resistance:1000MΩMin.  
Withstanding voltage:1000V AC/minute  
\*Compliant with RoHS and REACH\*  
\*Meet the HF/Halogen Free,need to customize\*  
\*Contact CJT for details\*

Standards



## Assembly layout

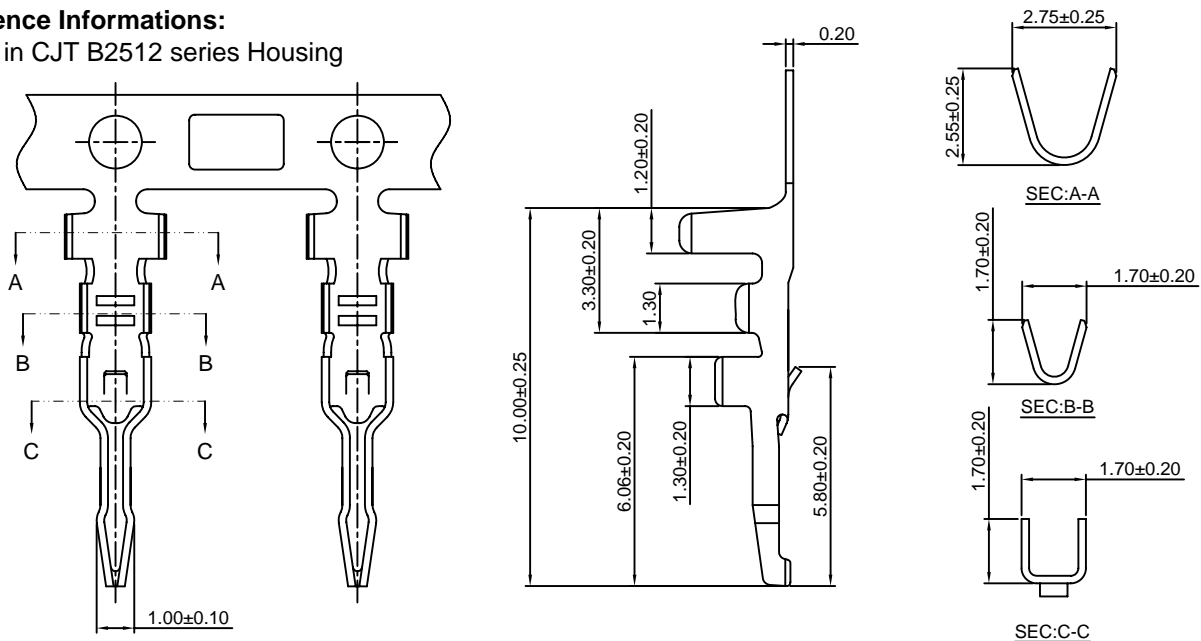


## B2512-T

2.50mm pitch Crimp Terminal

### Reference Informations:

\*Used in CJT B2512 series Housing



### Ordering information & Specifications:

Unit:mm

Part NO.	Wire Range	Insulation O.D.	Material	Finish	Qty/reel
B2512-TB	AWG#22-#28	1.70mm(max)	Brass	Tin over Nickel	10,000 PCS
B2512-TP	AWG#22-#28	1.70mm(max)	Phosphor Bronze	Tin over Nickel	10,000 PCS
B2512-GB	AWG#22-#28	1.70mm(max)	Brass	Gold over Nickel	10,000 PCS
B2512-GP	AWG#22-#28	1.70mm(max)	Phosphor Bronze	Gold over Nickel	10,000 PCS

Optional Gold plating available but MOQ requested

## B2512H

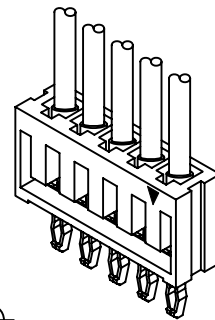
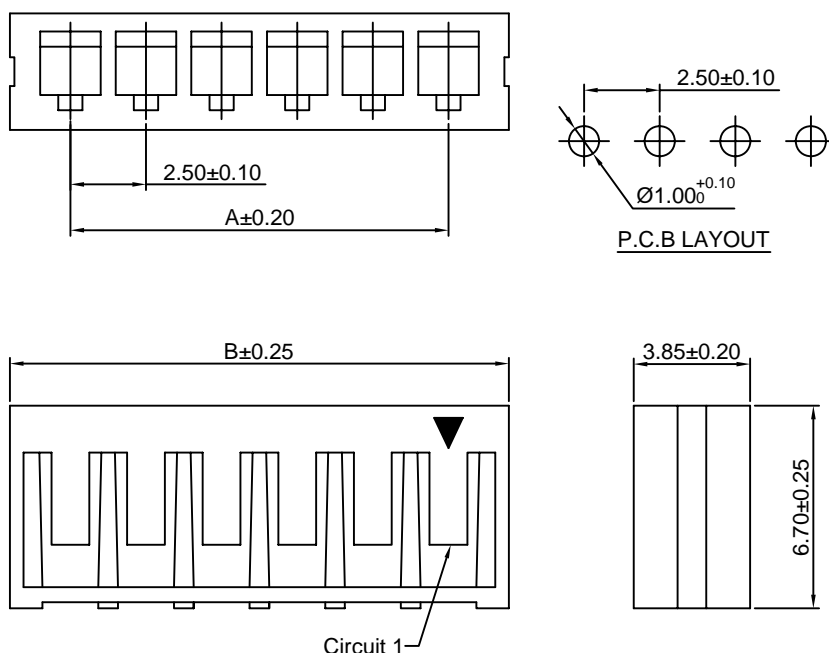
2.50mm pitch Housing

### Reference Informations:

\*Material:Nylon 66,UL94V-0

\*Suitable CJT B2512 series Terminal

\*Color:Natural(white)



### Ordering Information & Dimensions:

PART NO.	Dimensions	
	A	B
B2512H-2P	2.50	6.70
B2512H-3P	5.00	9.20
B2512H-4P	7.50	11.70
B2512H-5P	10.00	14.20
B2512H-6P	12.50	16.70
B2512H-7P	15.00	19.20
B2512H-8P	17.50	21.70
B2512H-9P	20.00	24.20
B2512H-10P	22.50	26.70
B2512H-11P	25.00	29.20
B2512H-12P	27.50	31.70
B2512H-13P	30.00	34.20
B2512H-14P	32.50	36.70
B2512H-15P	35.00	39.20
B2512H-16P	37.50	41.70

Unit: mm