

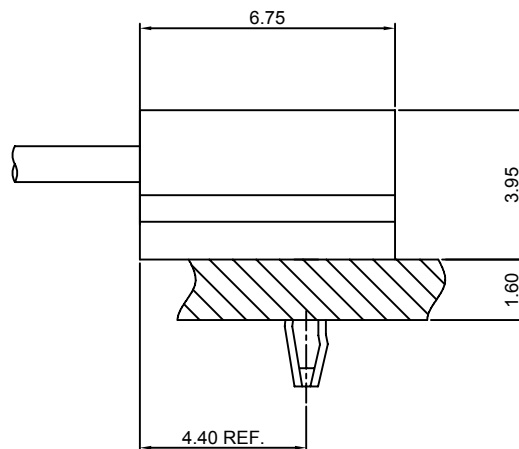
Specifications

- Current rating:3A AC,DC
- Voltage rating:125V AC,DC
- Temperature range:-40°C~+105°C
- Contact resistance:5mΩMax.
- Insulation resistance:1000MΩMin.
- Withstanding voltage:1000V AC/minute
- *Compliant with RoHS and REACH*
- *Meet the HF/Halogen Free,need to customize*
- *Contact CJT for details*

Standards



Assembly layout

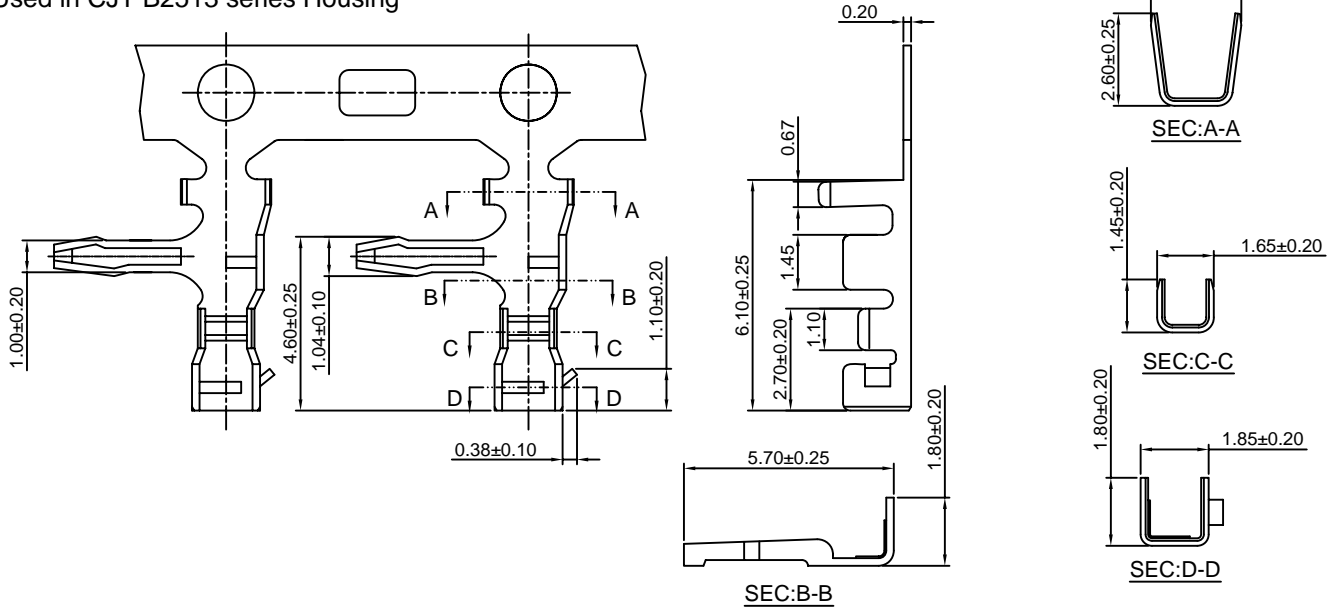


B2513-T

2.50mm pitch Crimp Terminal

Reference Informations:

*Used in CJT B2513 series Housing



Ordering information & Specifications:

Unit:mm

Part NO.	Wire Range	Insulation O.D.	Material	Finish	Qty/reel
B2513-TB	AWG#22-#28	1.70mm(max)	Brass	Tin over Nickel	10,000 PCS
B2513-TP	AWG#22-#28	1.70mm(max)	Phosphor Bronze	Tin over Nickel	10,000 PCS
B2513-GB	AWG#22-#28	1.70mm(max)	Brass	Gold over Nickel	10,000 PCS
B2513-GP	AWG#22-#28	1.70mm(max)	Phosphor Bronze	Gold over Nickel	10,000 PCS

Optional Gold plating available but MOQ requested

B2513H

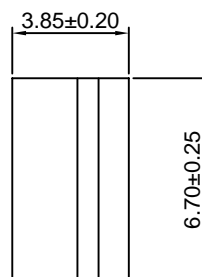
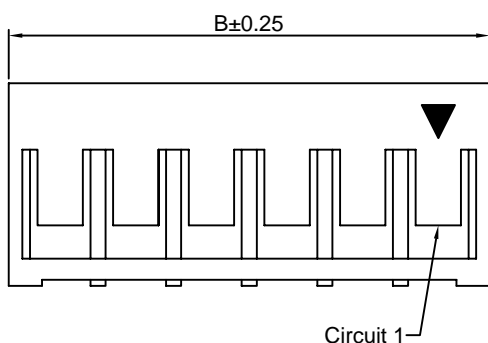
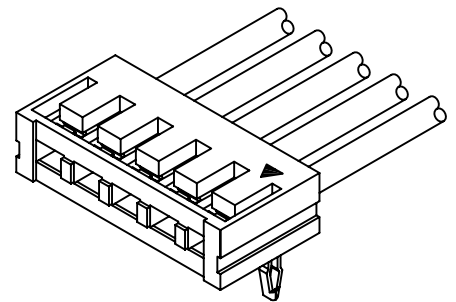
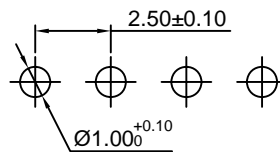
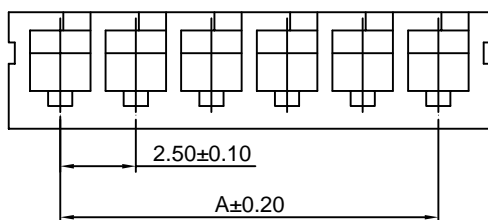
2.50mm pitch Housing

Reference Informations:

*Material:Nylon 66,UL94V-0

*Suitable CJT B2513 series Terminal

*Color:Natural(white)



Ordering Information & Dimensions:

PART NO.	Dimensions	
	A	B
B2513H-2P	2.50	6.65
B2513H-3P	5.00	9.15
B2513H-4P	7.50	11.65
B2513H-5P	10.00	14.15
B2513H-6P	12.50	16.65
B2513H-7P	15.00	19.15
B2513H-8P	17.50	21.65
B2513H-9P	20.00	24.15
B2513H-10P	22.50	26.65
B2513H-11P	25.00	29.15
B2513H-12P	27.50	31.65
B2513H-13P	30.00	34.15
B2513H-14P	32.50	36.65
B2513H-15P	35.00	39.15
B2513H-16P	37.50	41.65

Unit: mm