

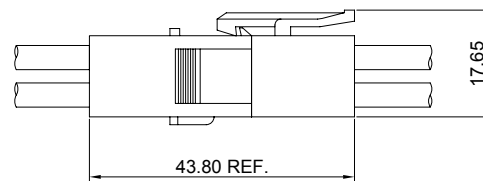
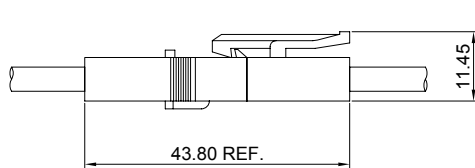
Specifications

- Current rating:10A AC,DC
- Voltage rating:250V AC,DC
- Temperature range:-40°C~+105°C
- Contact resistance:10mΩ Max.
- Insulation resistance:1000MΩ Min.
- Withstanding voltage:1500V AC/minute
- *Compliant with RoHS and REACH*
- *Meet the HF/Halogen Free,GWT/Glow wire Test (IEC60335-1) request,need to customize*
- *Contact CJT for details*

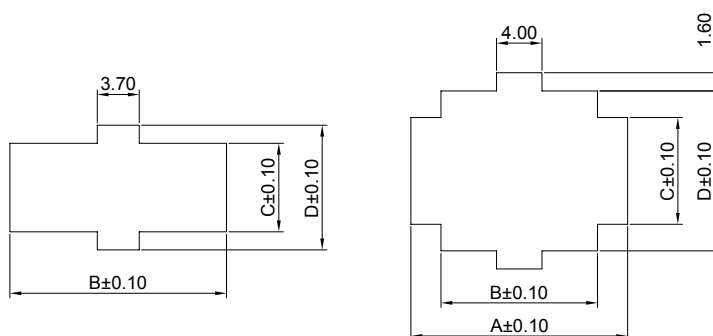
Standards



Assembly layout



Panel hole layout



PART NO.	Dimensions			
	A	B	C	D
C2020HM-2P	----	19.10	7.80	11.00
C2020HM-3P	----	25.30	7.80	11.00
C2020HM-4P	----	31.50	7.80	11.00
C2020HM-2x2P	13.80	19.10	9.40	14.10
C2020HM-2x3P	20.00	25.30	9.40	14.10
C2020HM-3x3P	20.00	25.30	9.40	20.30
C2020HM-3x4P	26.20	31.50	12.80	20.30
C2020HM-3x5P	32.40	37.70	12.80	20.30

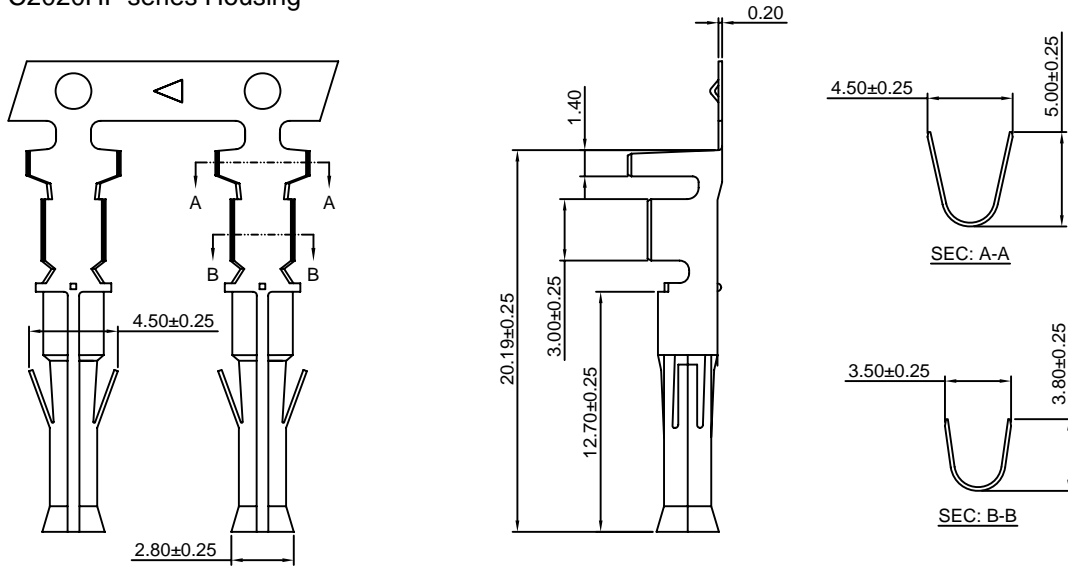
Unit:mm

C2020F-T

6.20mm pitch Crimp Terminal

Reference Informations:

*Used in CJT C2020HF series Housing



Ordering information & Specifications:

Unit:mm

Part NO.	Wire Range	Insulation O.D.	Material	Finish	Qty/reel
C2020F-TB	AWG#14-#20	4.10mm(max)	Brass	Tin over Nickel	2,500 PCS
C2020F-TP	AWG#14-#20	4.10mm(max)	Phosphor Bronze	Tin over Nickel	2,500 PCS
C2020F-GB	AWG#14-#20	4.10mm(max)	Brass	Gold over Nickel	2,500 PCS
C2020F-GP	AWG#14-#20	4.10mm(max)	Phosphor Bronze	Gold over Nickel	2,500 PCS

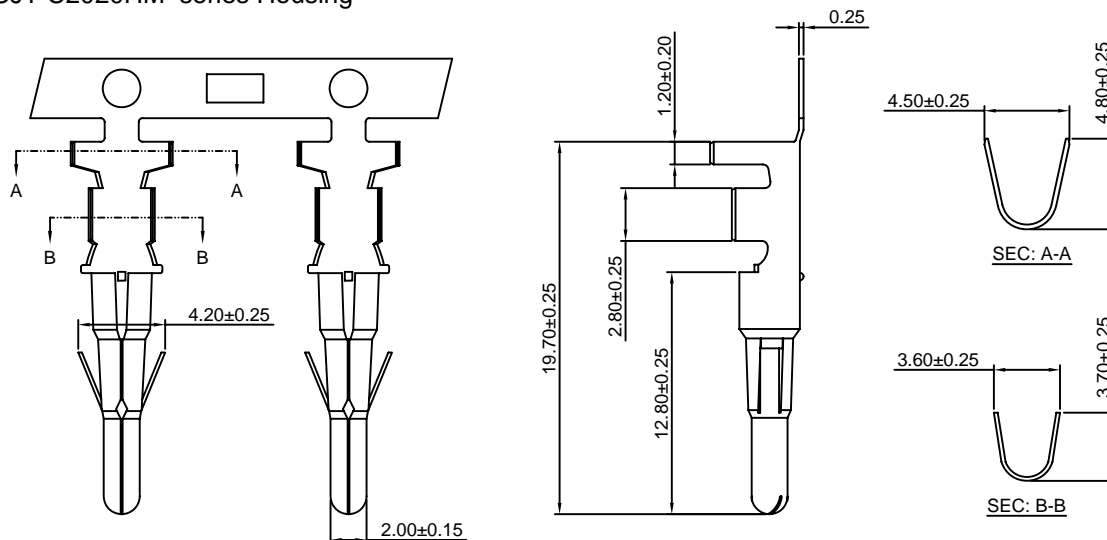
Optional Gold plating available but MOQ requested

C2020M-T

6.20mm pitch Crimp Terminal

Reference Informations:

*Used in CJT C2020HM series Housing



Ordering information & Specifications:

Unit:mm

Part NO.	Wire Range	Insulation O.D.	Material	Finish	Qty/reel
C2020M-TB	AWG#14-#20	4.10mm(max)	Brass	Tin over Nickel	2,500 PCS
C2020M-TP	AWG#14-#20	4.10mm(max)	Phosphor Bronze	Tin over Nickel	2,500 PCS
C2020M-GB	AWG#14-#20	4.10mm(max)	Brass	Gold over Nickel	2,500 PCS
C2020M-GP	AWG#14-#20	4.10mm(max)	Phosphor Bronze	Gold over Nickel	2,500 PCS

Optional Gold plating available but MOQ requested

C2020H

6.20mm Pitch Housing

Reference Informations:

- *Material: Nylon 66, UL94V-2 or UL94V-0
- *Suitable CJT C2020F series Terminal
- *Mates with CJT C2020HM C2020HMA series Housing
- *Color: Natural

Ordering Information:

C2020HF-XP - ** - **
1 2 3

1. Part No.
2. Material:
(blank): UL94V-2
V0: UL94V-0
3. Color:
(blank): Natural
WH: White
BK: Black

Ordering Information:

C2020HM<HMA>-XP - ** - **
1 2 3

1. Part No.
2. Material:
(blank): UL94V-2
V0: UL94V-0
3. Color:
(blank): Natural
WH: White
BK: Black

Unit: mm

C2020HM<HMA>	C2020HF
<p><u>C2020HM-1P</u></p>	<p><u>C2020HF-1P</u></p>
<p><u>C2020HM-2P</u></p>	<p><u>C2020HF-2P</u></p>
<p><u>C2020HMA-2P</u></p>	
<p><u>C2020HMB-2P</u></p>	

C2020H

6.20mm Pitch Housing

Unit: mm

C2020HM<HMA>	C2020HF
<p><u>C2020HM-3P</u></p>	<p><u>C2020HF-3P</u></p>
<p><u>C2020HMA-3P</u></p>	
<p><u>C2020HM-4P</u></p>	<p><u>C2020HF-4P</u></p>
<p><u>C2020HM-2x2P</u></p>	<p><u>C2020HF-2x2P</u></p>
<p><u>C2020HMA-2x2P</u></p>	

C2020H

6.20mm Pitch Housing

Unit: mm

C2020HM<HMA>	C2020HF
<p><u>C2020HM-2x3P</u></p>	<p><u>C2020HF-2x3P</u></p>
<p><u>C2020HM-S-2x3P</u></p>	<p><u>C2020HF-S-2x3P</u></p>
<p><u>C2020HM-3x3P</u></p>	<p><u>C2020HF-3x3P</u></p>

C2020H

6.20mm Pitch Housing

Unit: mm

