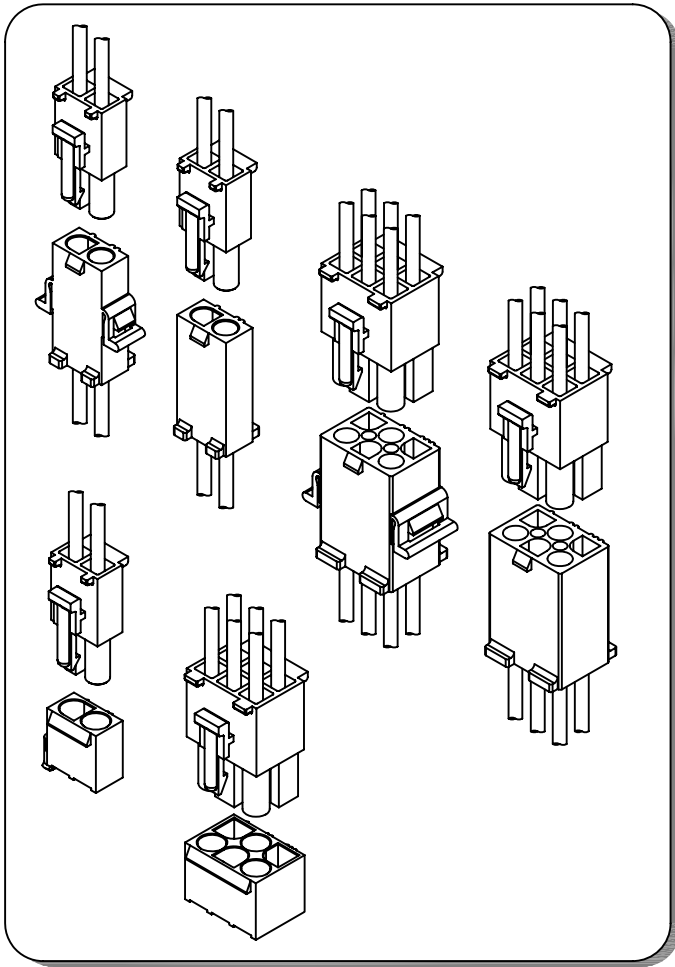


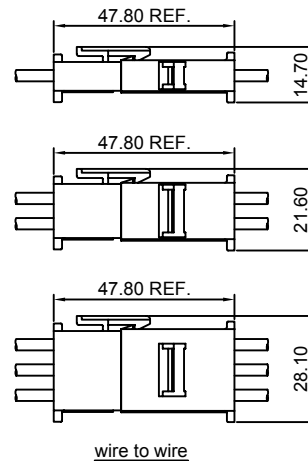
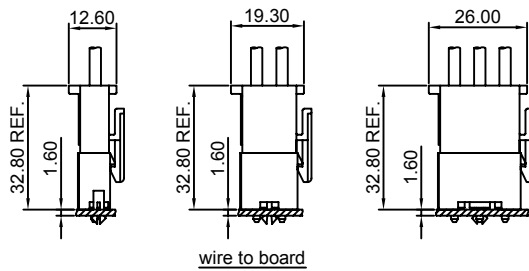
Specifications

- Current rating: 12A AC, DC
- Voltage rating: 600V AC, DC
- Temperature range: -40°C ~ +105°C
- Contact resistance: 10mΩ Max.
- Insulation resistance: 1000MΩ Min.
- Withstanding voltage: 1500V AC/minute
- *Compliant with RoHS and REACH*
- *Meet the HF/Halogen Free, GWT/Glow wire Test (IEC60335-1) request, need to customize*
- *Contact CJT for details*

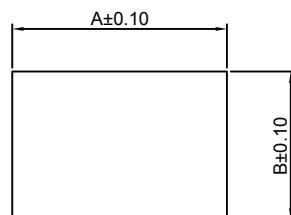
Standards



Assembly layout



Panel hole layout



| PART NO. | Dimensions | |
|--------------|------------|-------|
| | A | B |
| C2363HM-1P | 14.20 | 9.80 |
| C2363HM-2P | 20.90 | 10.00 |
| C2363HM-3P | 27.20 | 10.00 |
| C2363HM-4P | 34.30 | 10.00 |
| C2363HM-2x3P | 27.90 | 17.30 |
| C2363HM-3x3P | 28.40 | 23.70 |
| C2363HM-3x4P | 35.40 | 23.70 |
| C2363HM-3x5P | 41.90 | 23.70 |

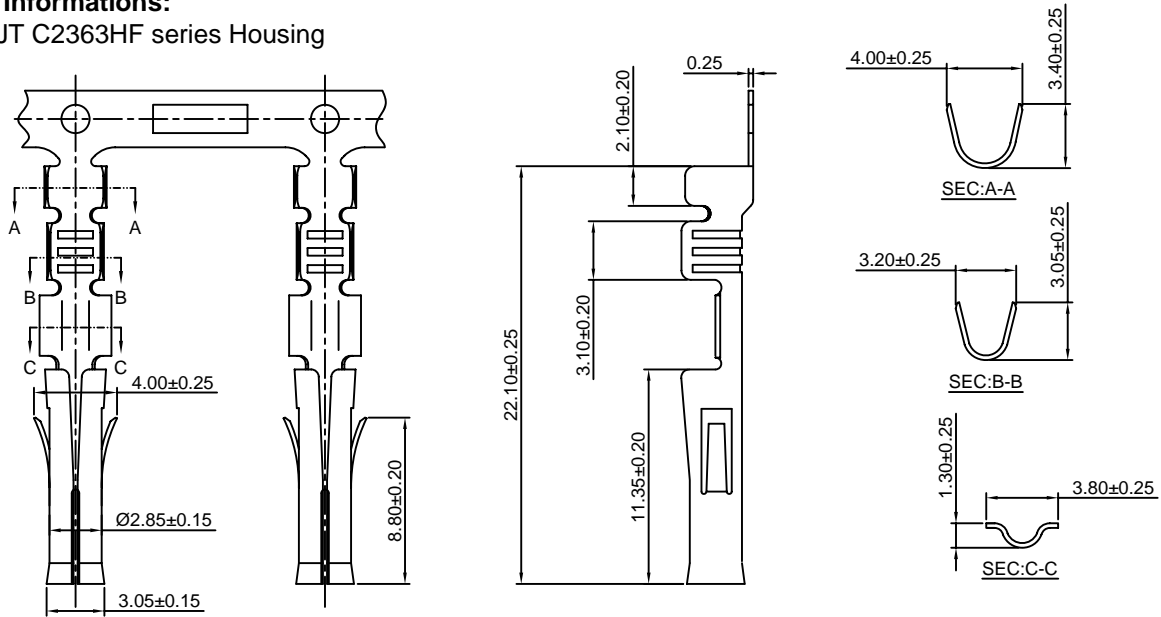
Unit:mm

C2363F-T

6.70mm pitch Crimp Terminal

Reference Informations:

*Used in CJT C2363HF series Housing



Ordering information & Specifications:

Unit:mm

| Part NO. | Wire Range | Insulation O.D. | Material | Finish | Qty/reel |
|-----------|------------|-----------------|-----------------|------------------|-----------|
| C2363F-TB | AWG#18-#22 | 3.10mm(max) | Brass | Tin over Nickel | 5,000 PCS |
| C2363F-TP | AWG#18-#22 | 3.10mm(max) | Phosphor Bronze | Tin over Nickel | 5,000 PCS |
| C2363F-GB | AWG#18-#22 | 3.10mm(max) | Brass | Gold over Nickel | 5,000 PCS |
| C2363F-GP | AWG#18-#22 | 3.10mm(max) | Phosphor Bronze | Gold over Nickel | 5,000 PCS |

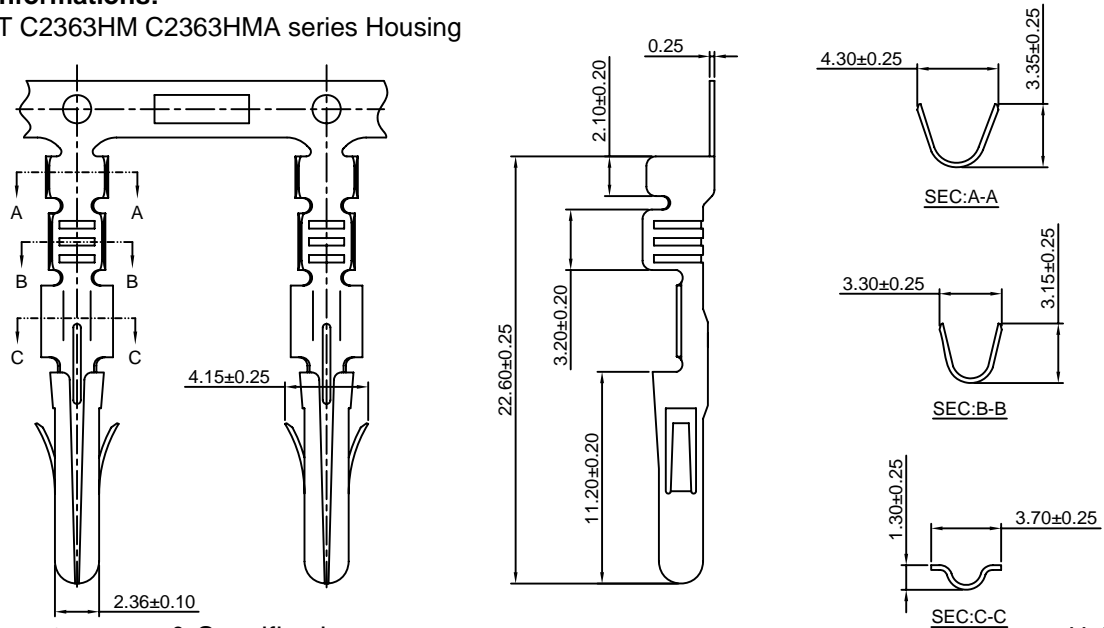
Optional Gold plating available but MOQ requested

C2363M-T

6.70mm pitch Crimp Terminal

Reference Informations:

*Used in CJT C2363HM C2363HMA series Housing



Ordering information & Specifications:

Unit:mm

| Part NO. | Wire Range | Insulation O.D. | Material | Finish | Qty/reel |
|-----------|------------|-----------------|-----------------|------------------|-----------|
| C2363M-TB | AWG#18-#22 | 3.10mm(max) | Brass | Tin over Nickel | 5,000 PCS |
| C2363M-TP | AWG#18-#22 | 3.10mm(max) | Phosphor Bronze | Tin over Nickel | 5,000 PCS |
| C2363M-GB | AWG#18-#22 | 3.10mm(max) | Brass | Gold over Nickel | 5,000 PCS |
| C2363M-GP | AWG#18-#22 | 3.10mm(max) | Phosphor Bronze | Gold over Nickel | 5,000 PCS |

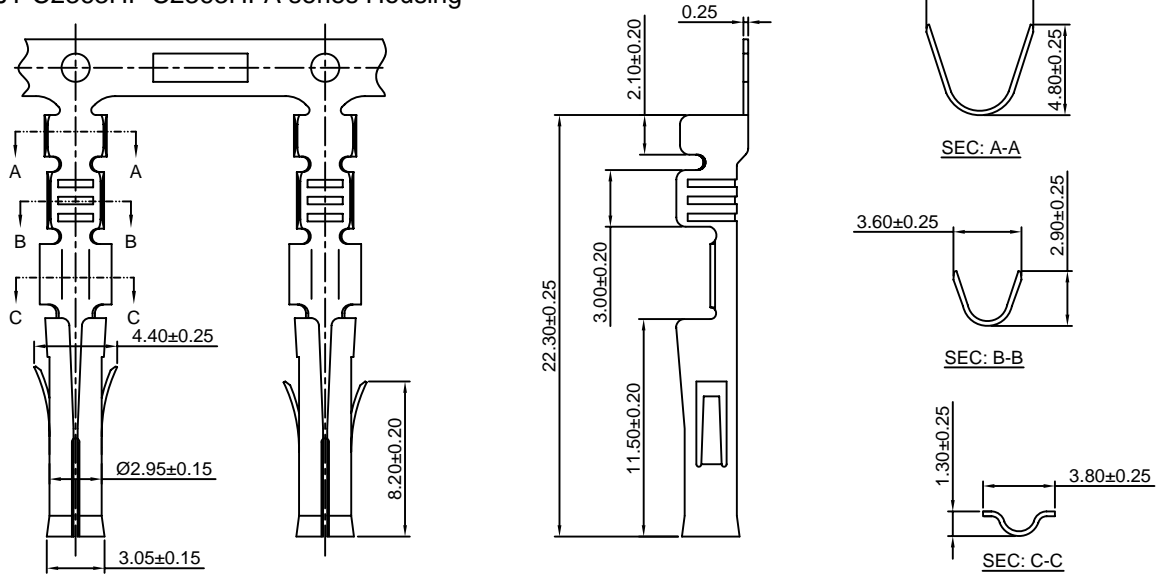
Optional Gold plating available but MOQ requested

C2363F-T-H

6.70mm pitch Crimp Terminal

Reference Informations:

*Used in CJT C2363HF C2363HFA series Housing



Ordering information & Specifications:

Unit:mm

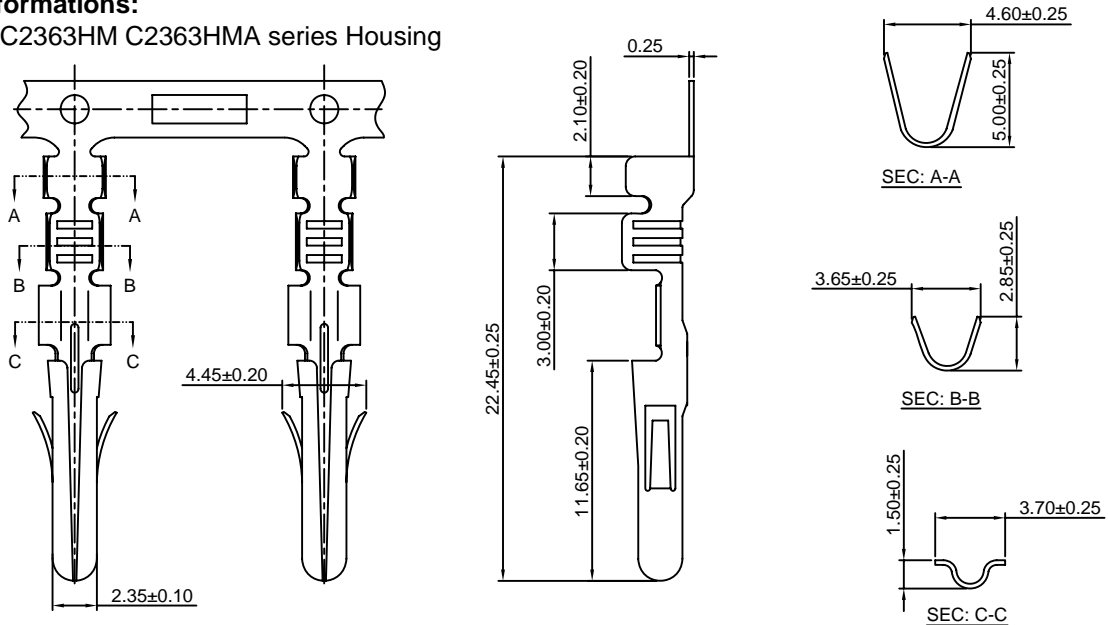
| Part NO. | Wire Range | Insulation O.D. | Material | Finish | Qty/reel |
|-------------|------------|-----------------|-----------------|------------------|-----------|
| C2363F-TB-H | AWG#14-#20 | 3.10mm(max) | Brass | Tin over Nickel | 2,500 PCS |
| C2363F-TP-H | AWG#14-#20 | 3.10mm(max) | Phosphor Bronze | Tin over Nickel | 2,500 PCS |
| C2363F-GB-H | AWG#14-#20 | 3.10mm(max) | Brass | Gold over Nickel | 2,500 PCS |
| C2363F-GP-H | AWG#14-#20 | 3.10mm(max) | Phosphor Bronze | Gold over Nickel | 2,500 PCS |

C2363M-T-H

6.70mm pitch Crimp Terminal

Reference Informations:

*Used in CJT C2363HM C2363HMA series Housing



Ordering information & Specifications:

Unit:mm

| Part NO. | Wire Range | Insulation O.D. | Material | Finish | Qty/reel |
|-------------|------------|-----------------|-----------------|------------------|-----------|
| C2363M-TB-H | AWG#14-#20 | 3.10mm(max) | Brass | Tin over Nickel | 2,500 PCS |
| C2363M-TP-H | AWG#14-#20 | 3.10mm(max) | Phosphor Bronze | Tin over Nickel | 2,500 PCS |
| C2363M-GB-H | AWG#14-#20 | 3.10mm(max) | Brass | Gold over Nickel | 2,500 PCS |
| C2363M-GP-H | AWG#14-#20 | 3.10mm(max) | Phosphor Bronze | Gold over Nickel | 2,500 PCS |

Optional Gold plating available but MOQ requested

C2363H

6.70mm Pitch Housing

Reference Informations:

- *Material: Nylon 66, UL94V-2
- *Suitable CJT C2363F(H) and C2363M(H) series Terminal
- *Color: Natural

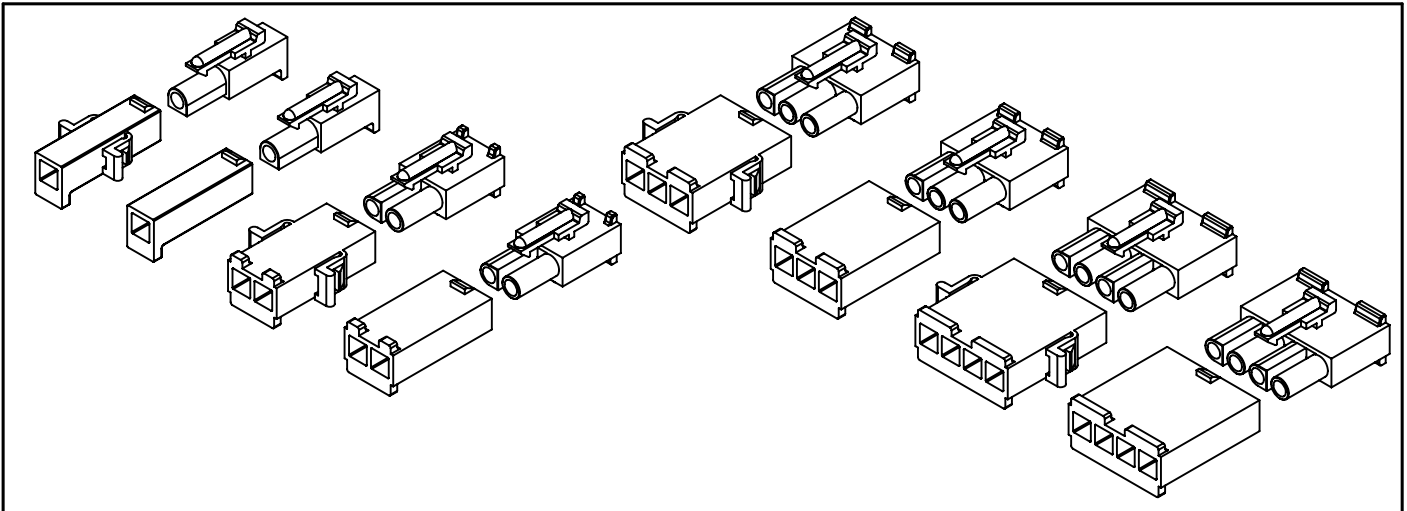
Ordering Information:

- C2363HF-XP - **
- | | |
|---|---|
| 1 | 2 |
|---|---|
- 1.Part No.
2.Material/Color:
(blank):UL94V-2/Natural
V0:UL94V-0/White

Ordering Information:

- C2363HM<HMA>-XP - **
- | | |
|---|---|
| 1 | 2 |
|---|---|
- 1.Part No.
2.Material/Color:
(blank):UL94V-2/Natural
V0:UL94V-0/White

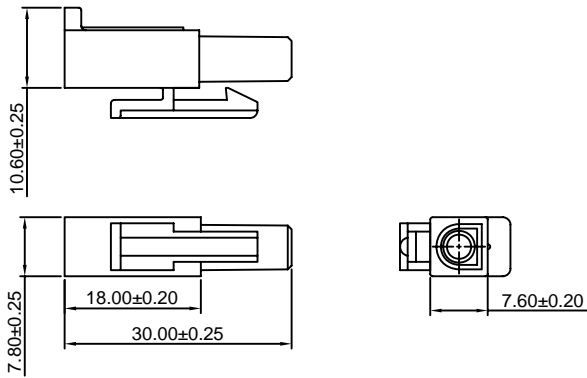
Unit: mm



C2363HF

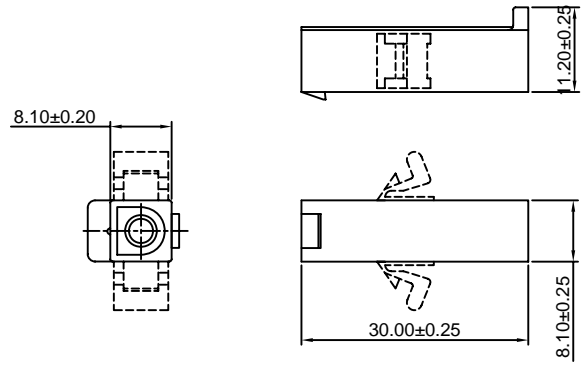
C2363HM<HMA>

C2363HF-1P

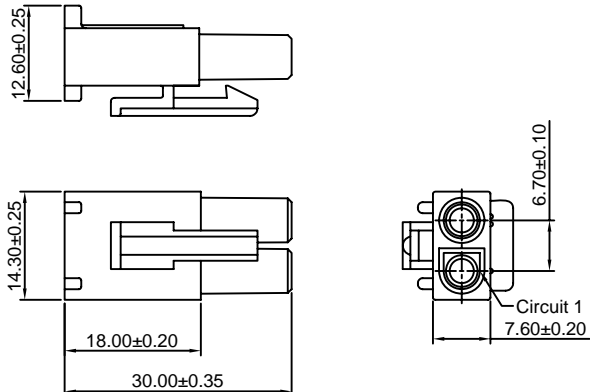


C2363HM-1P

C2363HMA-1P(WITHOUT EARS)

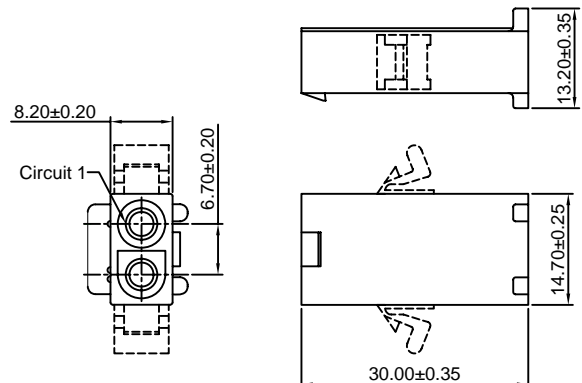


C2363HF-2P



C2363HM-2P

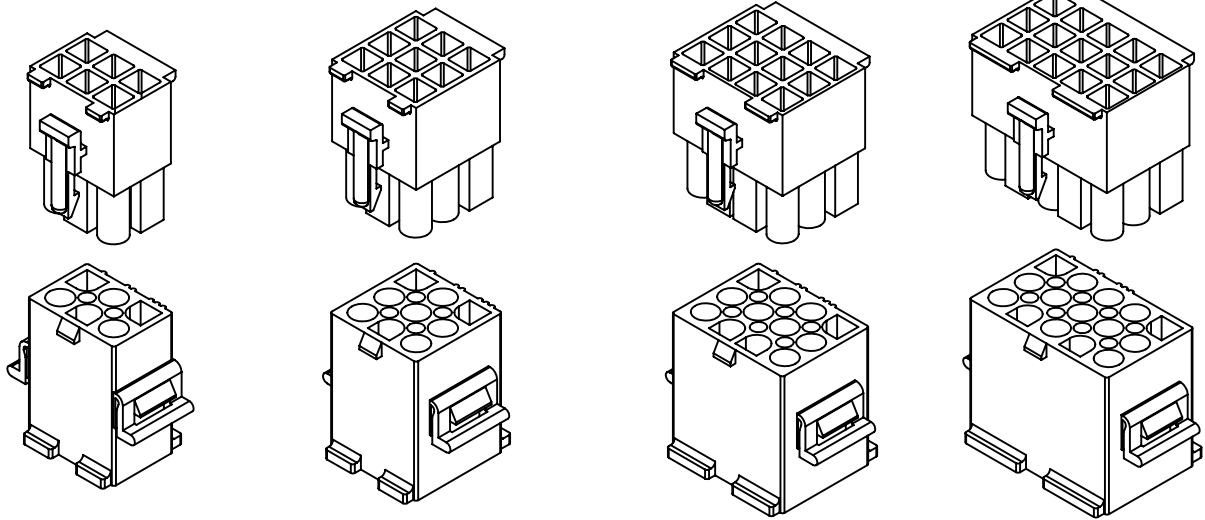
C2363HMA-2P(WITHOUT EARS)



C2363H

6.70mm Pitch Housing

Unit: mm



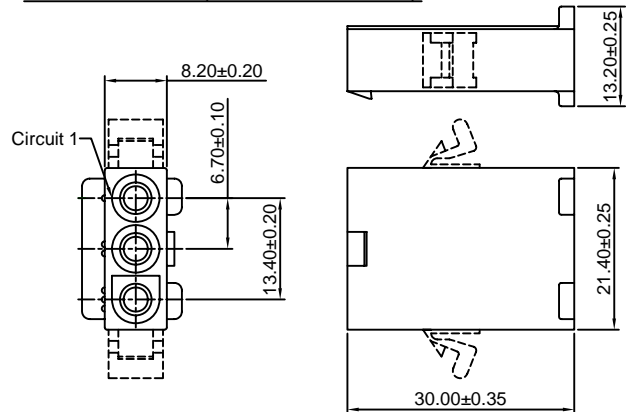
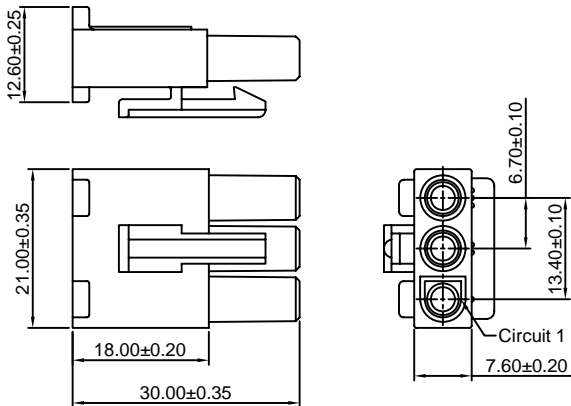
C2363HF

C2363HM<HMA>

C2363HF-3P

C2363HM-3P

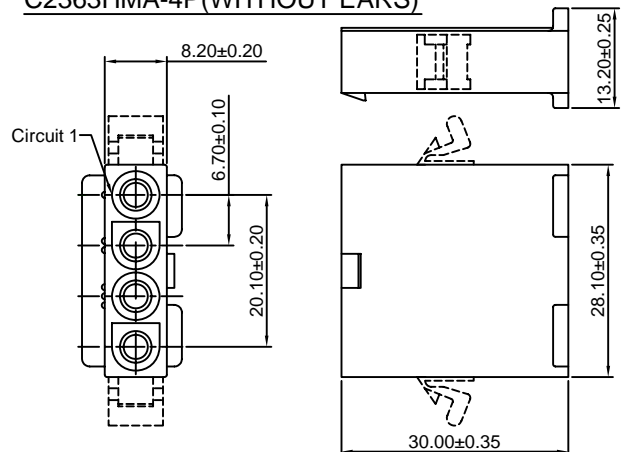
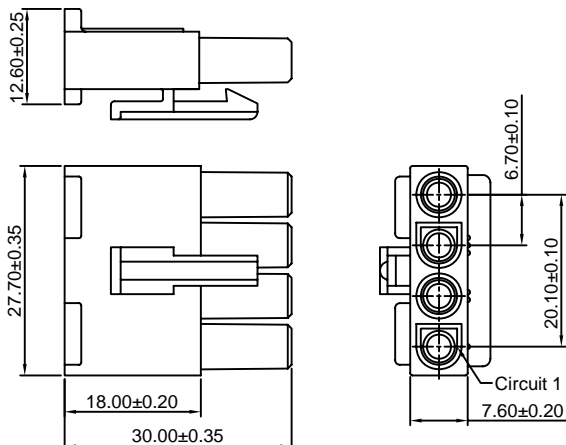
C2363HMA-3P(WITHOUT EARS)



C2363HF-4P

C2363HM-4P

C2363HMA-4P(WITHOUT EARS)



C2363H

6.70mm Pitch Housing

Reference Informations:

- *Material: Nylon 66, UL94V-2 or UL94V-0
- *Suitable CJT C2363F(H) and C2363M(H) series Terminal
- *Color: Natural

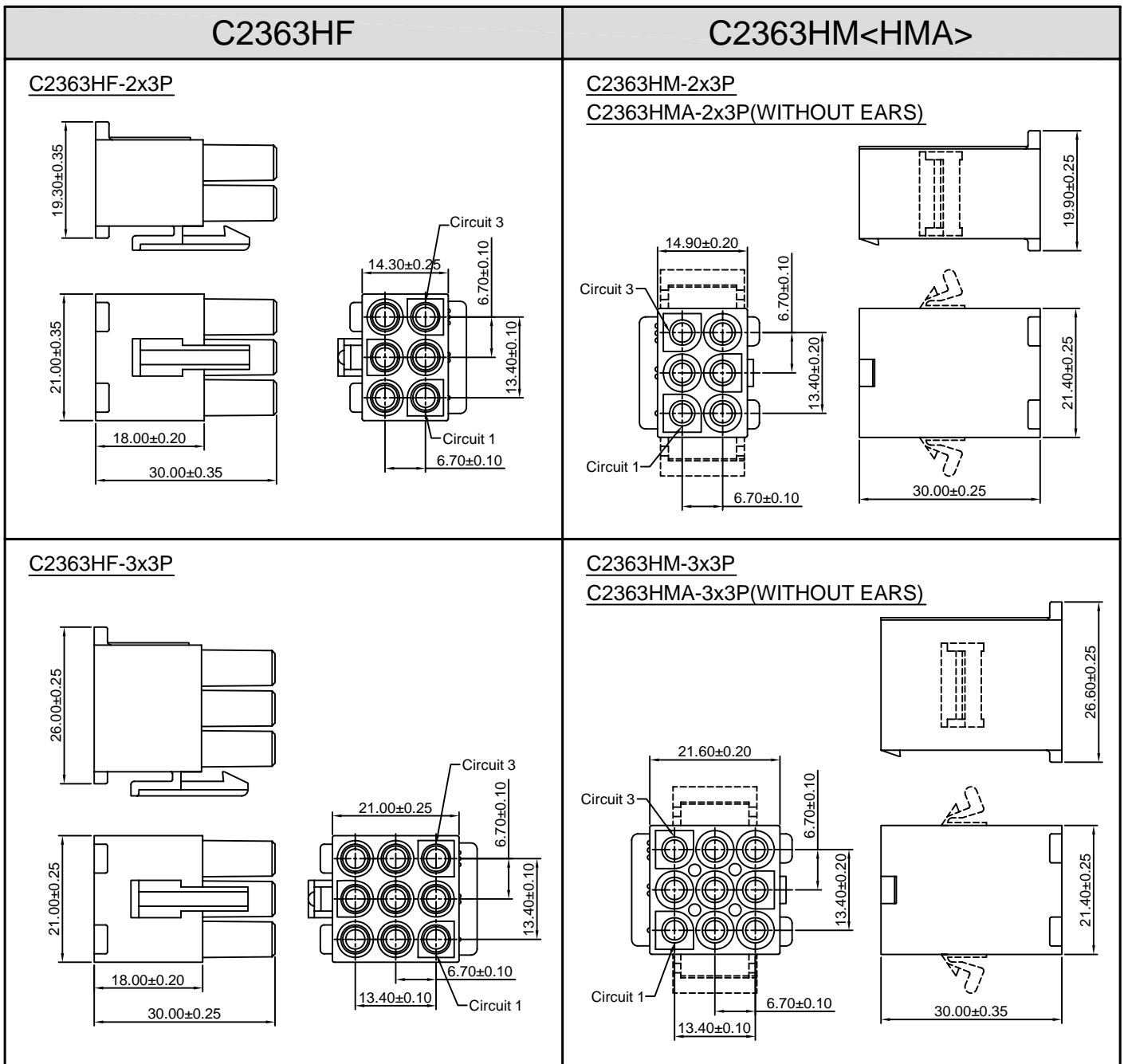
Ordering Information:

- C2363HF-XP - **
- | | |
|---|---|
| 1 | 2 |
|---|---|
1. Part No.
 2. Material/Color:
(blank): UL94V-2/Natural
V0: UL94V-0/White

Ordering Information:

- C2363HM<HMA>-XP - **
- | | |
|---|---|
| 1 | 2 |
|---|---|
1. Part No.
 2. Material/Color:
(blank): UL94V-2/Natural
V0: UL94V-0/White

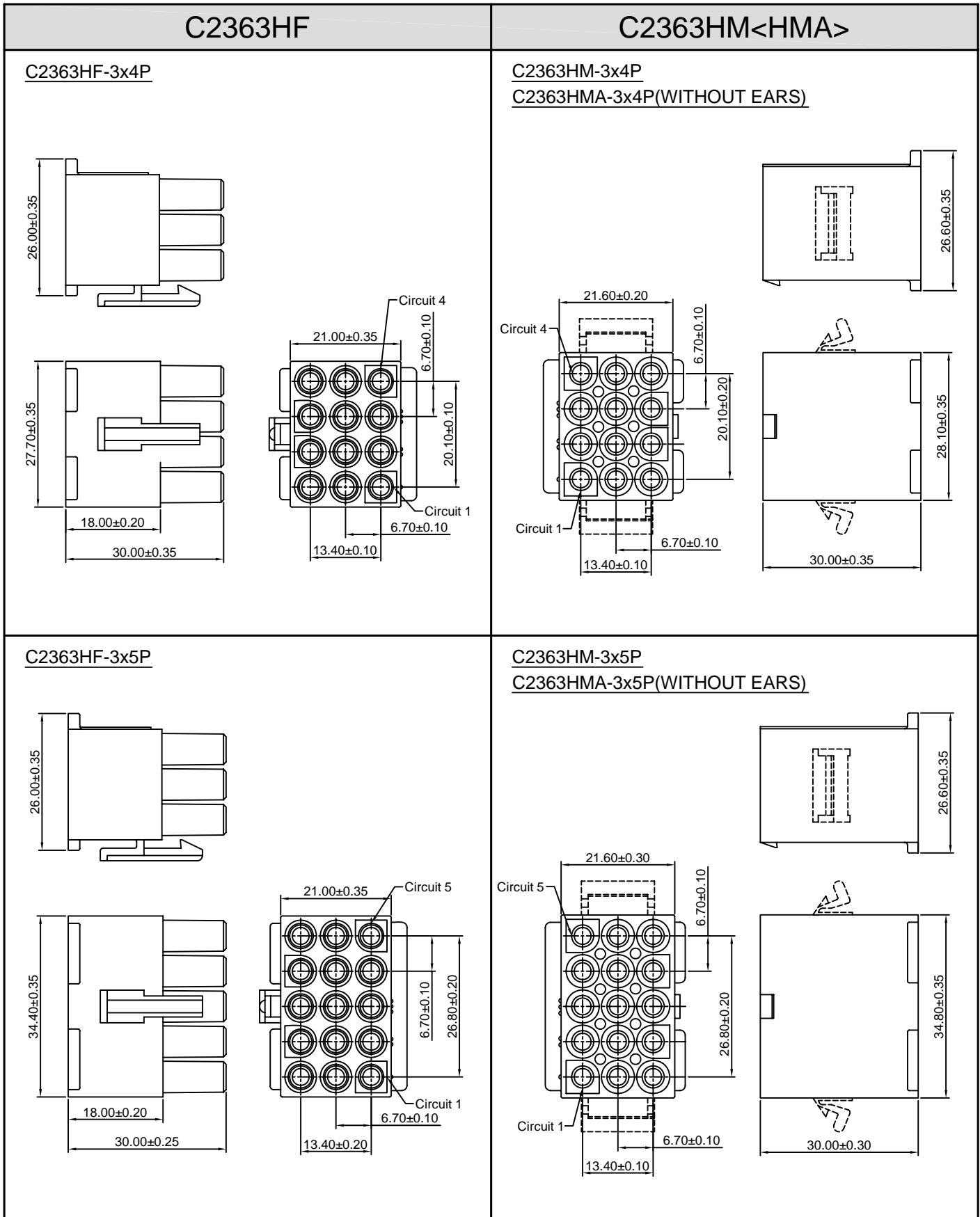
Unit: mm



C2363H

6.70mm Pitch Housing

Unit: mm



C2363WV

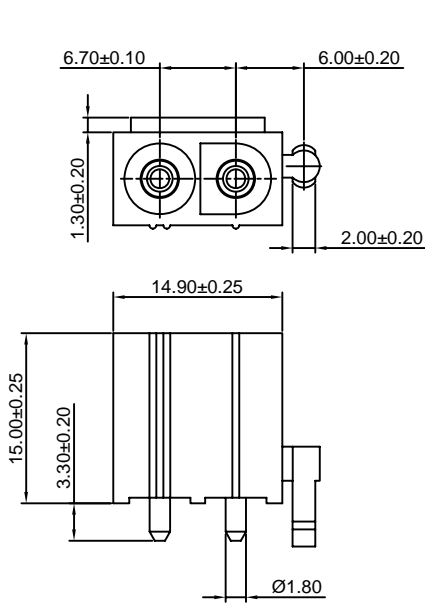
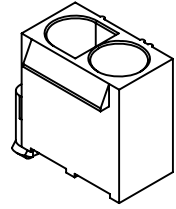
6.70mm Pitch 180° Wafer

Reference Informations:

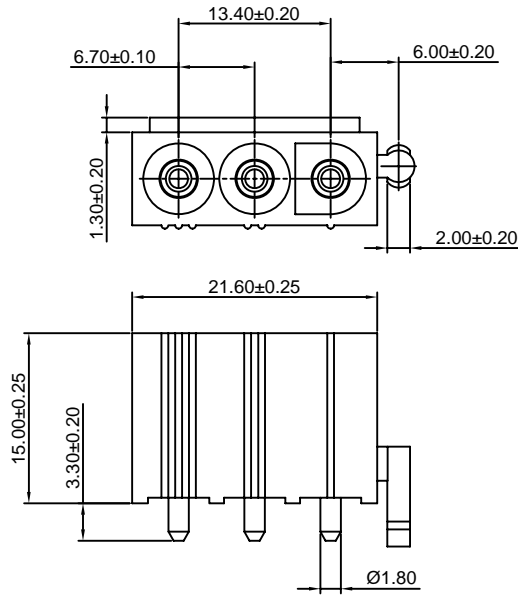
- *Material: Pin: Brass/Tin over Nickel
Insulator: Nylon 66, UL94V-2
- *Mates with CJT C2363HF series single row Housing
- *Color: Natural

Ordering Information:

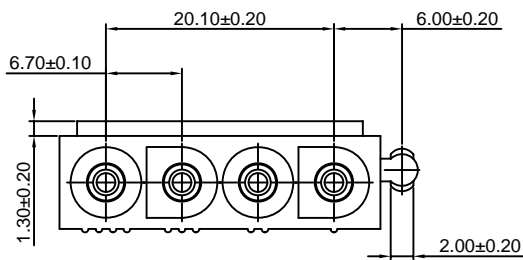
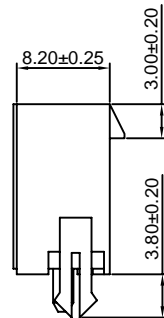
- C2363WV-XP - **
 1 2
 1. Part No.
 2. Material/Color:
 (blank): UL94V-2/Natural
 V0: UL94V-0/White



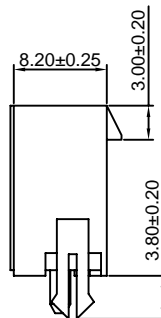
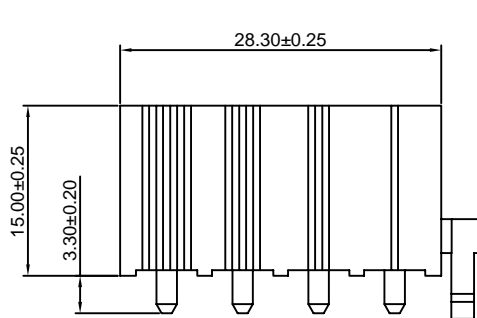
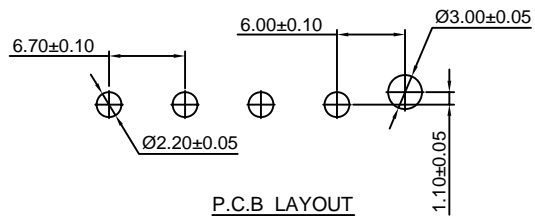
C2363WV-2P



C2363WV-3P



C2363WV-4P



C2363WV-2x3P

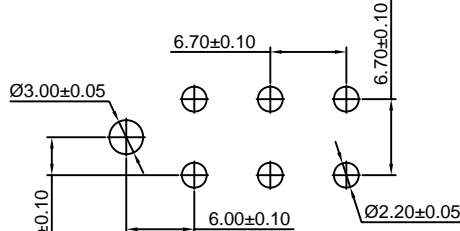
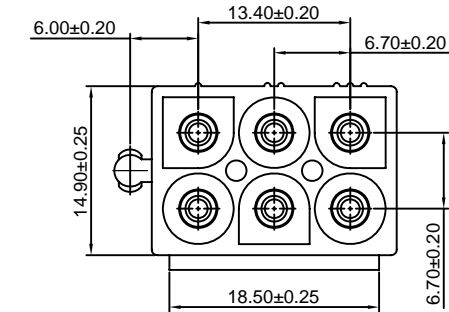
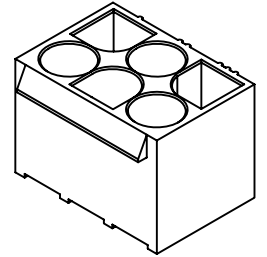
6.70mm Pitch 180° Dual Row Wafer

Reference Informations:

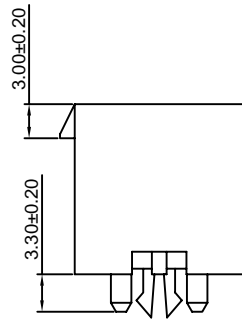
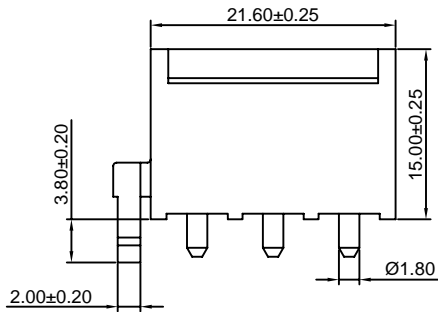
- *Material: Pin: Brass/Tin over Nickel
Insulator: Nylon 66, UL94V-2
- *Mates with CJT C2363HF series Dual Row Housing
- *Color: Natural

Ordering Information:

- C2363WV-2x3P - **
 1 2
 1. Part No.
 2. Material/Color:
 (blank): UL94V-2/Natural
 V0: UL94V-0/White



P.C.B LAYOUT



C2363WV-3x3P

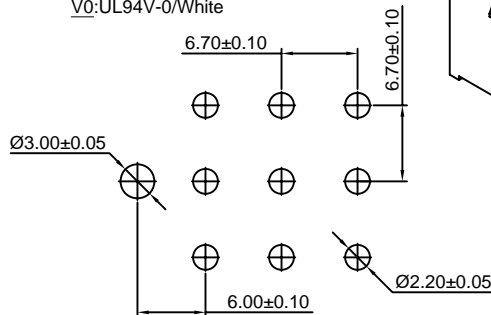
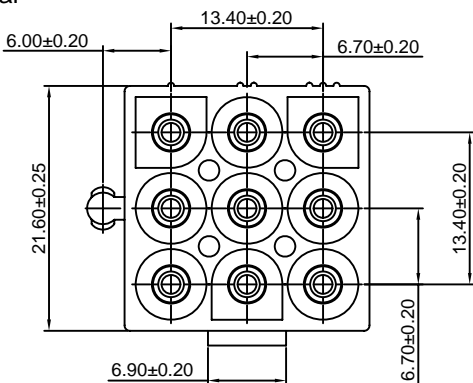
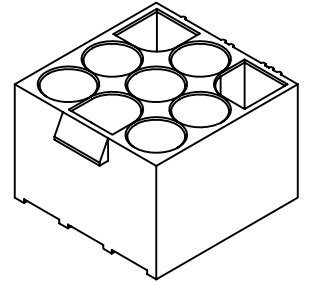
6.70mm Pitch 180° Triple Row Wafer

Reference Informations:

- *Material: Pin: Brass/Tin over Nickel
Insulator: Nylon 66, UL94V-2
- *Mates with CJT C2363HF series Triple Row Housing
- *Color: Natural

Ordering Information:

- C2363WV-3x3P - **
 1 2
 1. Part No.
 2. Material/Color:
 (blank): UL94V-2/Natural
 V0: UL94V-0/White



P.C.B LAYOUT

