

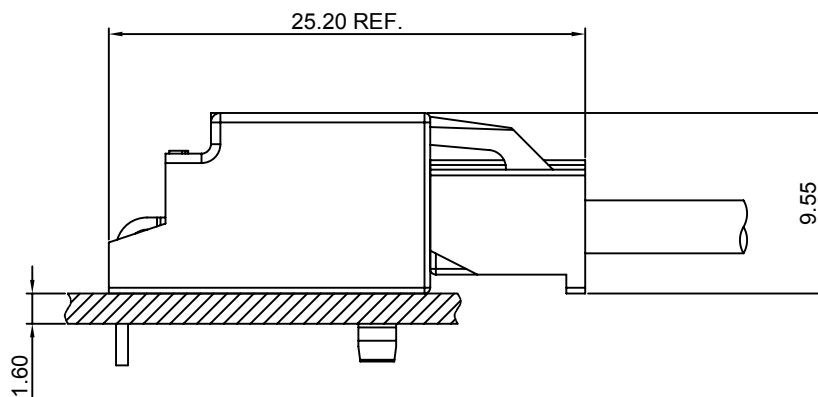
Specifications

- Current rating:6A AC,DC
Voltage rating:300V AC,DC
Temperature range:-40°C~+105°C
Contact resistance:10mΩ Max.
Insulation resistance:1000MΩ Min.
Withstanding voltage:1500V AC/minute
Compliant with RoHS and REACH
Meet the HF/Halogen Free,GWT/Glow wire Test (IEC60335-1) request,need to customize
Contact CJT for details

Standards



Assembly layout

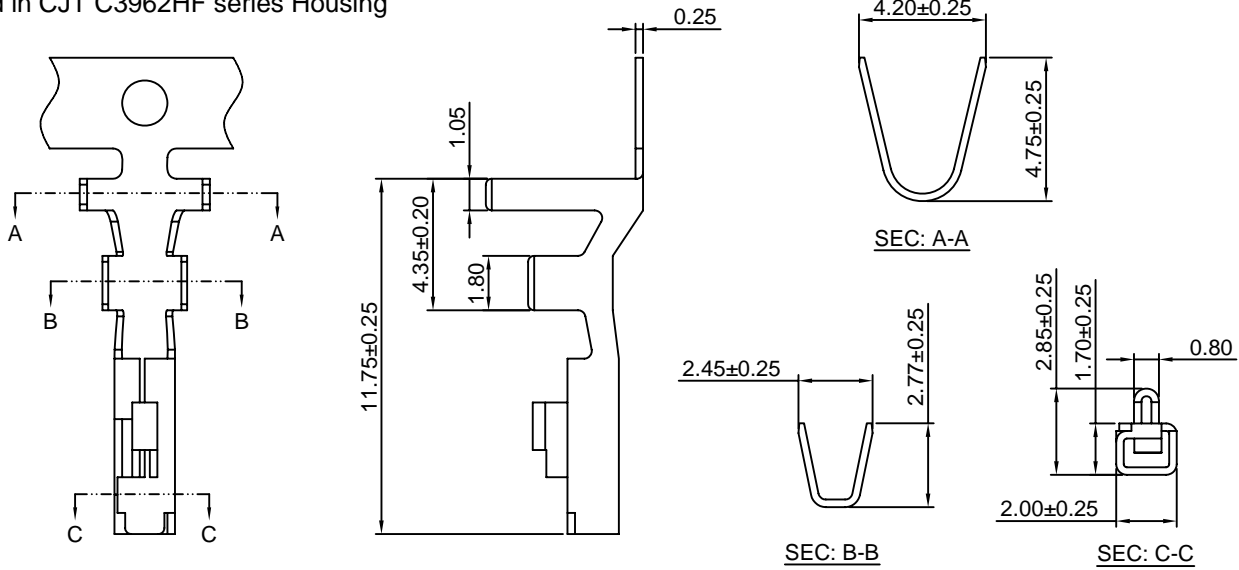


C3962-T

3.96mm pitch Crimp Terminal

Reference Informations:

*Used in CJT C3962HF series Housing



Ordering information & Specifications:

Unit:mm

Part NO.	Wire Range	Insulation O.D.	Material	Finish	Qty/reel
C3962-TB	AWG#18-#22	2.80mm(max)	Brass	Tin over Nickel	3,000 PCS
C3962-TP	AWG#18-#22	2.80mm(max)	Phosphor Bronze	Tin over Nickel	3,000 PCS
C3962-GB	AWG#18-#22	2.80mm(max)	Brass	Gold over Nickel	3,000 PCS
C3962-GP	AWG#18-#22	2.80mm(max)	Phosphor Bronze	Gold over Nickel	3,000 PCS

Optional Gold plating available but MOQ requested

C3962H

3.96mm Pitch Housing

Reference Informations:

*Material:Nylon 66,UL94V-0

*Suitable CJT C3962 series Terminal

*Mates with CJT C3962 series Wafer

*Color:White

Ordering Information:

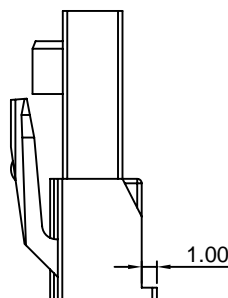
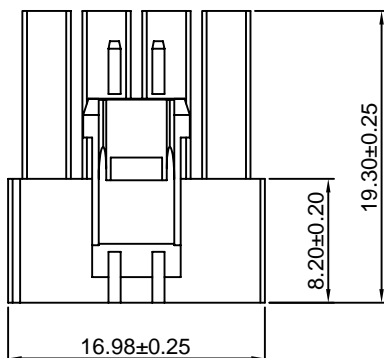
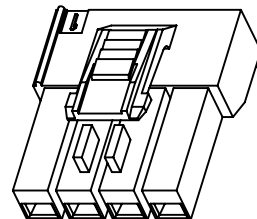
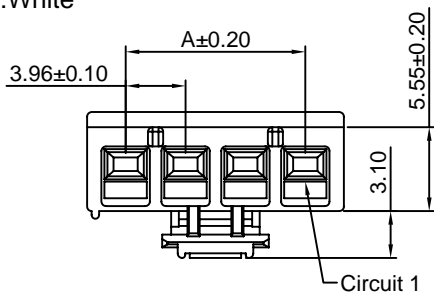
C3962H-2P - **
1 2

1.Part No.

2.Color:

(blank):White

BK:Black



Ordering Information & Dimensions:

PART NO.	Dimensions	
	A	B
C3962H-2P	3.96	9.06
C3962H-4P	11.88	16.98

Unit: mm

C3962WR-2P

3.96mm Pitch 90° Wafer

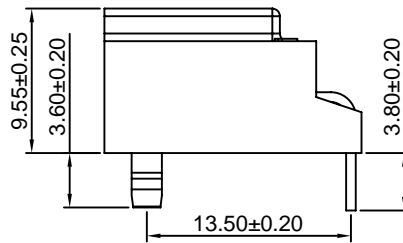
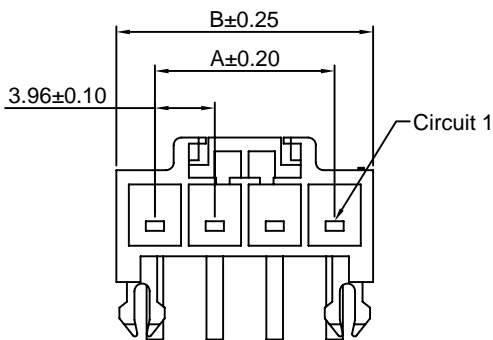
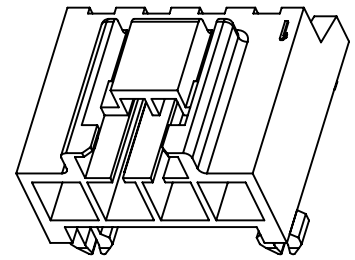
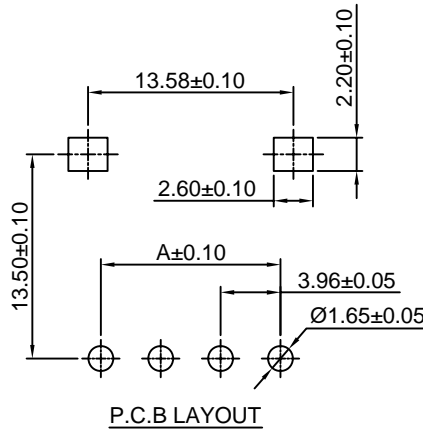
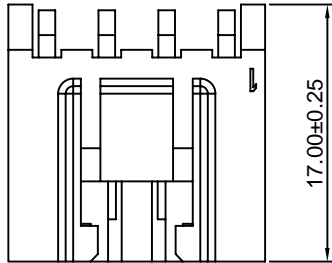
Reference Informations:

- *Material: Pin: Brass/Tin over Nickel
Wafer: Nylon 66, UL94V-0
- *Mates with CJT C3962 series Housing
- *Color: white

Ordering Information:

C3962WR-2P - **
1 2

- 1. Part No.
- 2. Color:
(blank): White
BK: Black



Ordering Information & Dimensions:

PART NO.	Dimensions	
	A	B
C3962WR-2P	3.96	9.06
C3962WR-4P	11.88	16.98

Unit: mm