

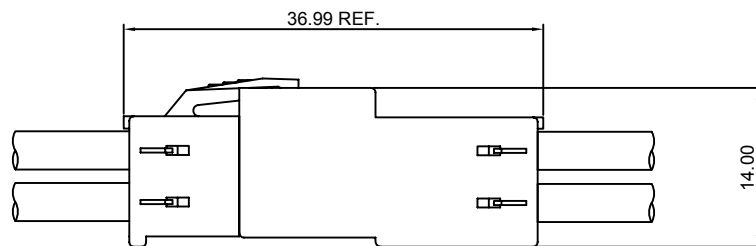
Specifications

- Current rating:15A AC,DC
Voltage rating:600V AC,DC
Temperature range:-40°C~+105°C
Contact resistance:3.5mΩ Max.
Insulation resistance:1000MΩ Min.
Withstanding voltage:5000V AC/minute
Compliant with RoHS and REACH
Meet the HF/Halogen Free,GWT/Glow wire Test (IEC60335-1) request,need to customize
Contact CJT for details

Standards



Assembly layout

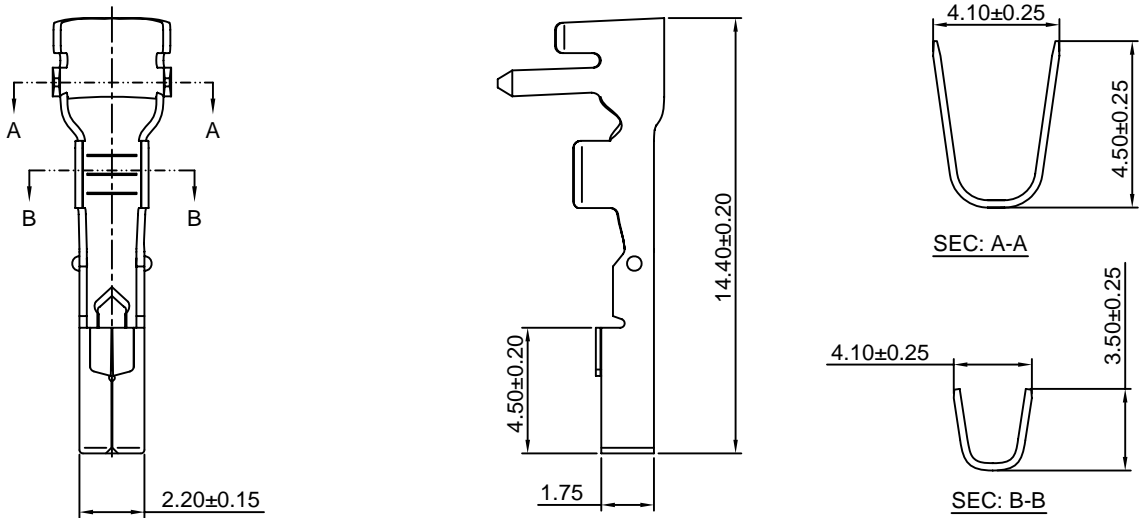


C3963F-T

3.96mm pitch Crimp Terminal

Reference Informations:

*Used in CJT C3963HF series Housing



Ordering information & Specifications:

Unit:mm

Part NO	Wire Range	Insulation O.D.	Material	Finish	Qty/reel
C3963F-TP	AWG#16-#20	3.10mm(max)	Phosphor Bronze	Tin over Nickel	3,000 PCS
C3963F-GP	AWG#16-#20	3.10mm(max)	Phosphor Bronze	Gold over Nickel	3,000 PCS

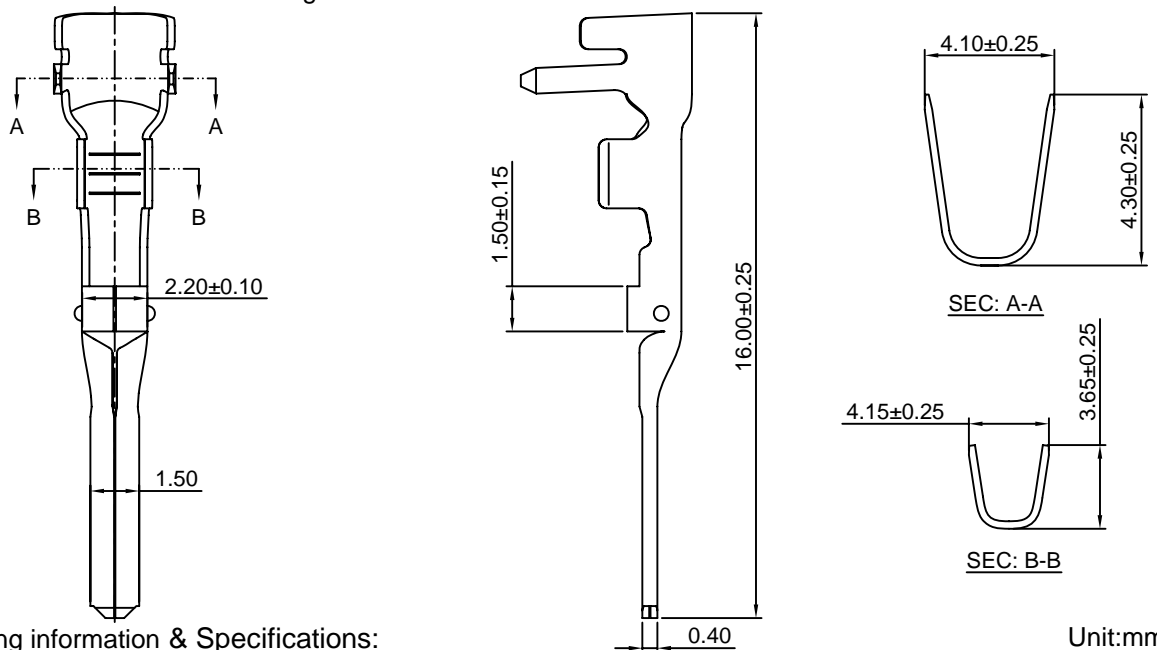
Optional Gold plating available but MOQ requested

C3963M-T

3.96mm pitch Crimp Terminal

Reference Informations:

*Used in CJT C3963HM series Housing



Ordering information & Specifications:

Unit:mm

Part NO	Wire Range	Insulation O.D.	Material	Finish	Qty/reel
C3963M-TP	AWG#16-#20	3.10mm(max)	Phosphor Bronze	Tin over Nickel	3,000 PCS
C3963M-GP	AWG#16-#20	3.10mm(max)	Phosphor Bronze	Gold over Nickel	3,000 PCS

Optional Gold plating available but MOQ requested

C3963H

3.96mm Pitch Housing

Reference Informations:

*Material:Housing:Nylon 66,UL94V-0

Retainer:Nylon 66,UL94V-2

*Color:Natural

Unit: mm

C3963HF	C3963HM	C3963S
<p>C3963HF-2P</p>	<p>C3963HM-2P</p>	<p>C3963S-2P</p>
<p>C3963HF-3P</p>	<p>C3963HM-3P</p>	<p>C3963S-3P</p>
<p>C3963HF-2x2P</p>	<p>C3963HM-2x2P</p>	<p>C3963S-2P</p>

C3963H

3.96mm Pitch Housing

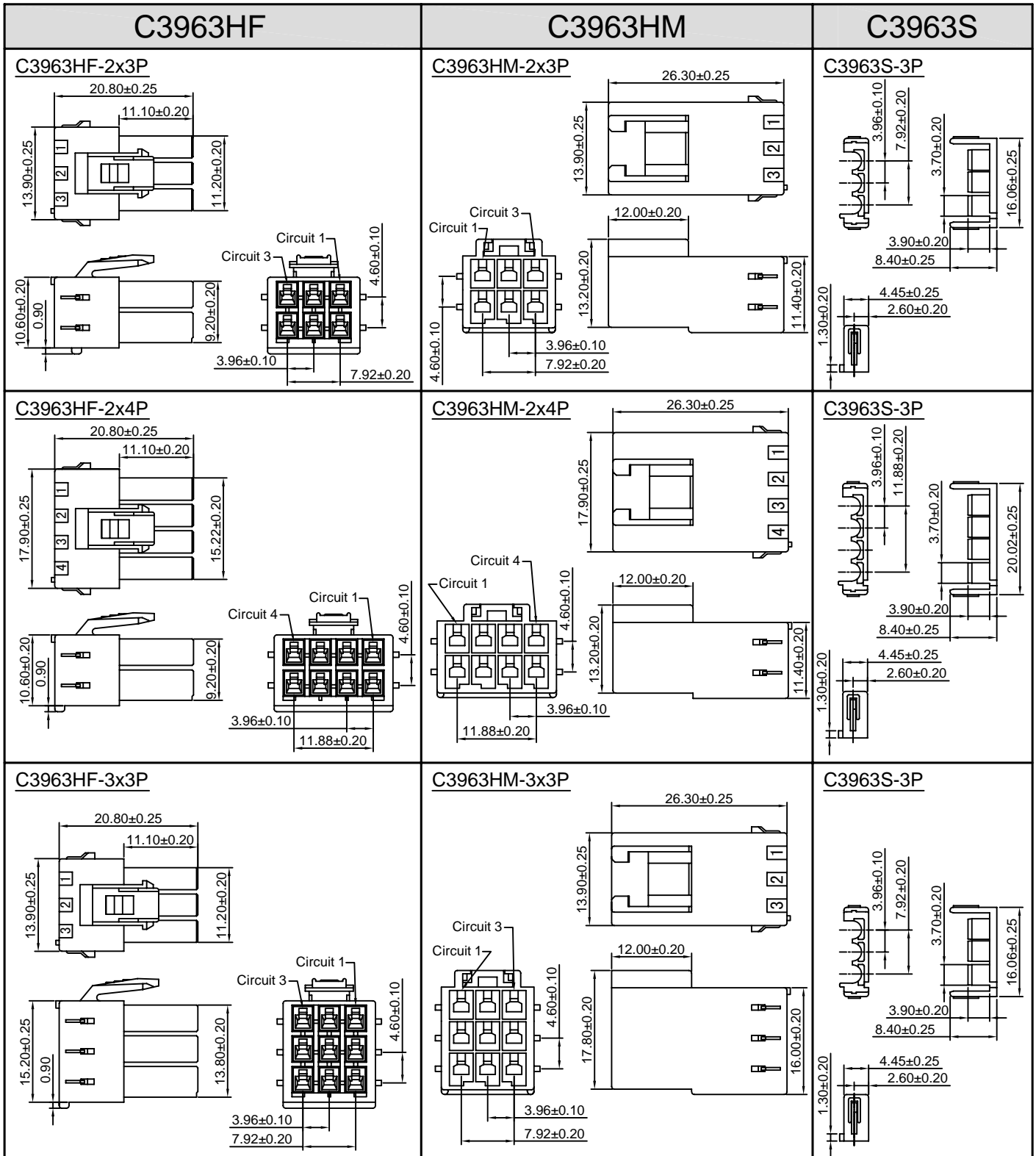
Reference Informations:

*Material:Housing:Nylon 66,UL94V-0

Retainer:Nylon 66,UL94V-2

*Color:Natural

Unit: mm



Unit: mm