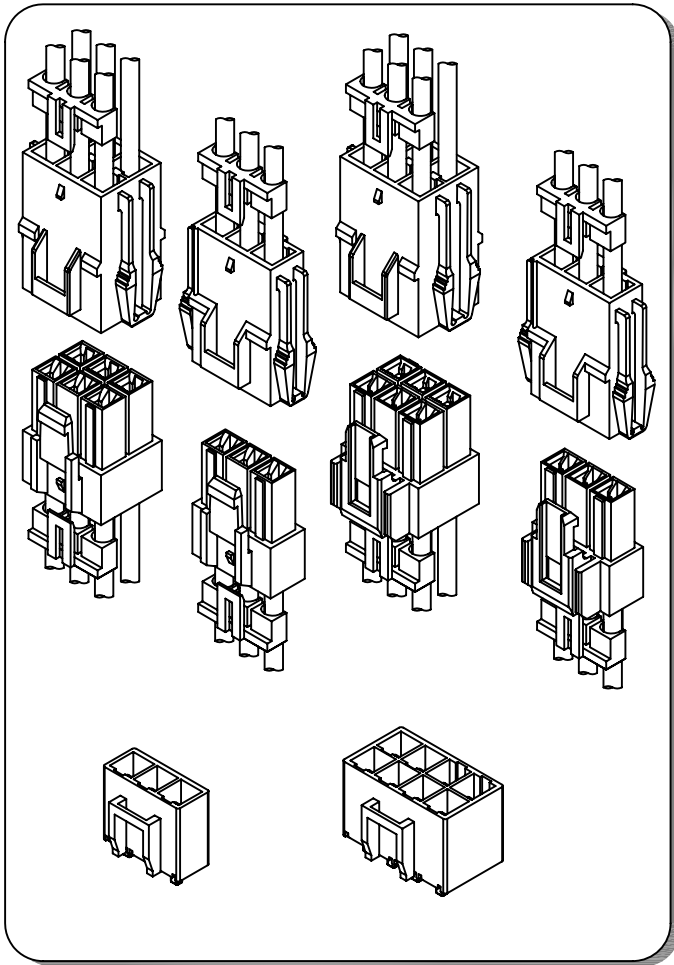


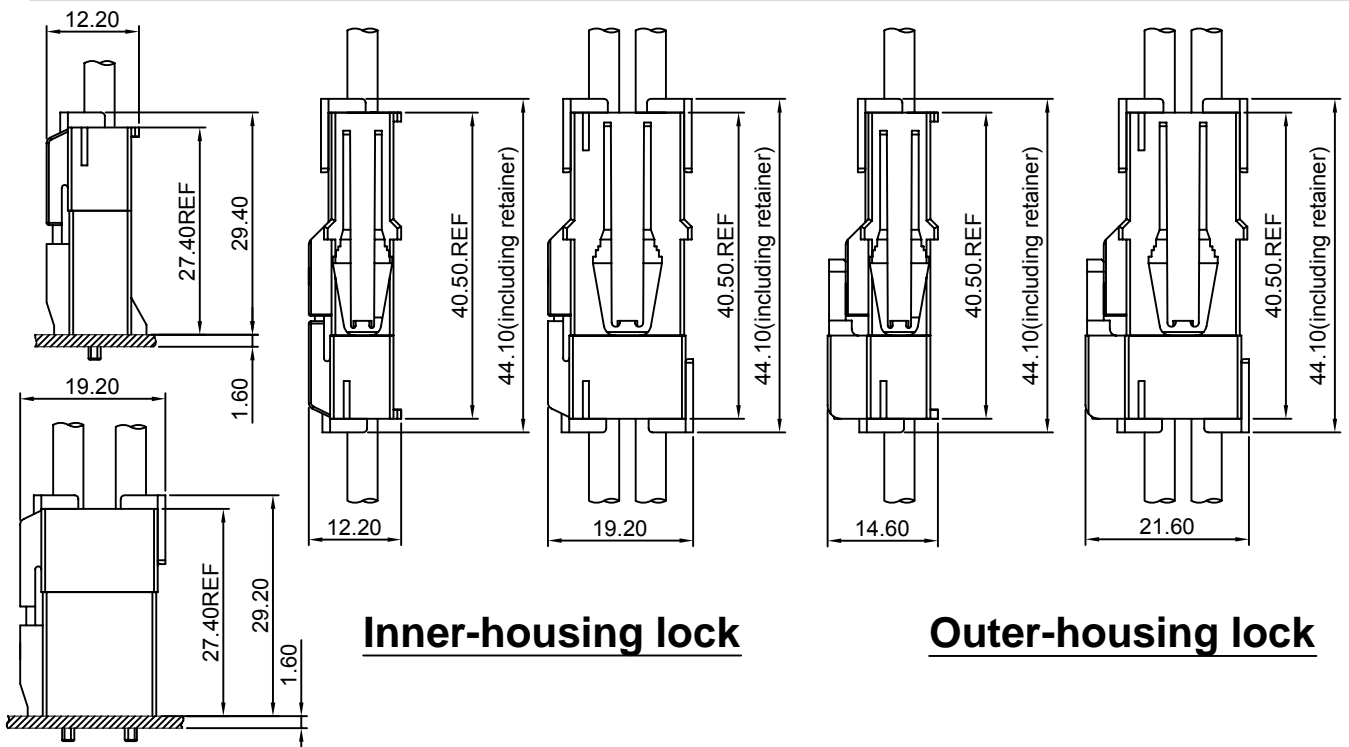
Specifications

- Current rating:20A AC,DC
- Voltage rating:600V AC,DC
- Temperature range:-40°C~+105°C
- Contact resistance:7mΩ Max.
- Insulation resistance:1000MΩ Min.
- Withstanding voltage:2000V AC/minute
- *Compliant with RoHS and REACH*
- *Meet the HF/Halogen Free,GWT/Glow wire Test (IEC60335-1) request,need to customize*
- *Contact CJT for details*

Standards



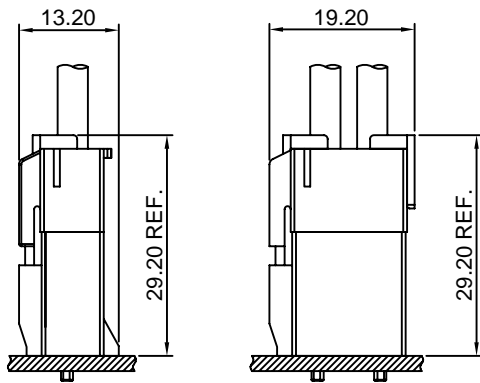
Assembly layout



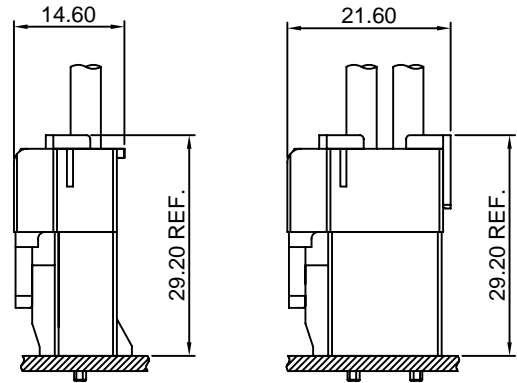
Inner-housing lock

Outer-housing lock

wire to board type

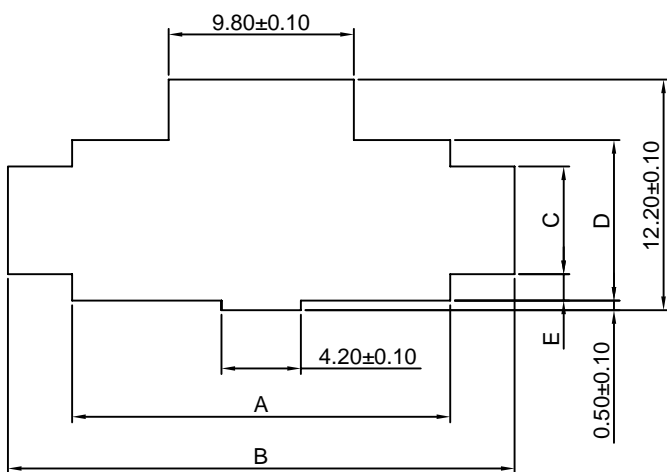


Inner-housing lock

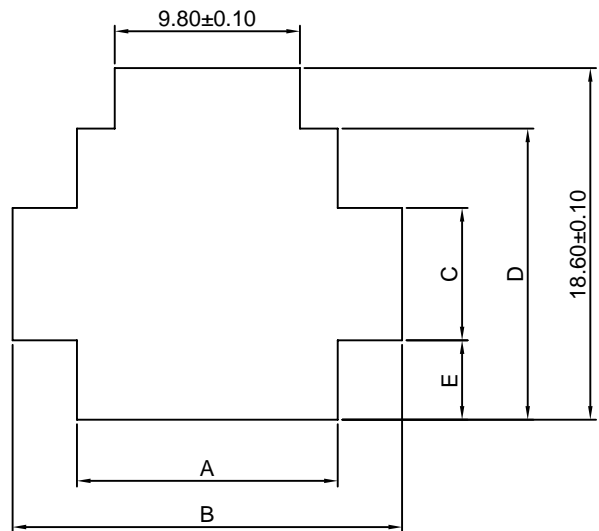


Outer-housing lock

Panel hole layout



Shape I



Shape II

PART NO.	Panel hole shape	Panel hole Dimensions					applicable panel thickness (mm)
		A	B	C	D	E	
C6201HM-2P	I	13.80	20.60	5.70	8.50	1.40	0.5-2.0
C6201HM-3P	I	20.00	26.80	5.70	8.50	1.40	
C6201HM-4P	I	26.20	33.00	5.70	8.50	1.40	
C6201HM-2X2P	II	13.80	20.60	7.00	15.40	4.20	
C6201HM-2X3P	II	20.00	26.80	7.00	15.40	4.20	
C6201HM-2X4P	II	26.20	33.00	7.00	15.40	4.20	
C6201HM-2X6P	II	38.90	45.40	7.00	15.40	4.20	

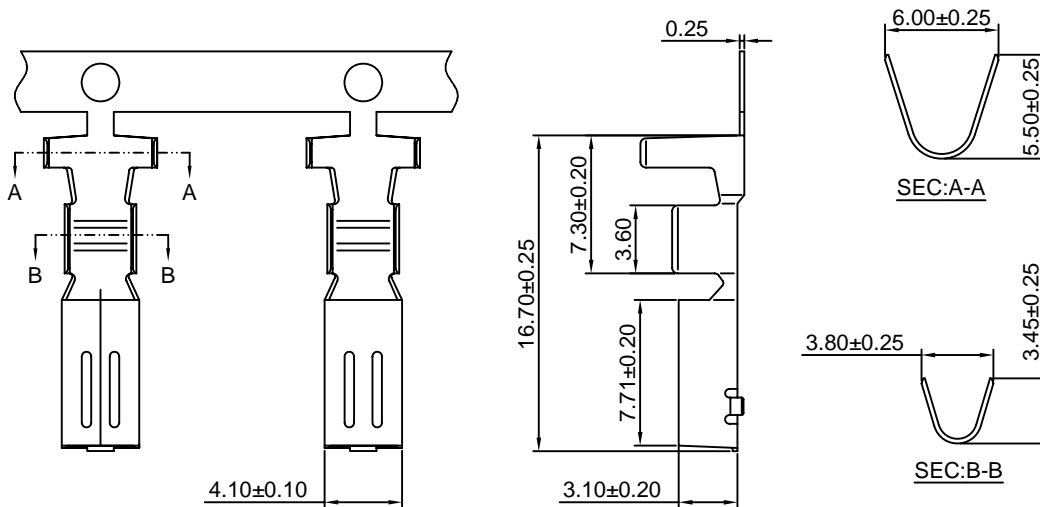
Note: 1. Punch holes in the panel according to the sketch and table shown above. Burrs must be removed.
 2. The strength of the panel must be considered when punching two or more holes.
 3. The connector must be inserted from the same side as the hole is punched

C6201F-T

6.20mm pitch Crimp Terminal

Reference Informations:

*Used in CJT C6201HF series Housing



Ordering information & Specifications:

Unit:mm

Part NO	Wire Range	Insulation O.D.	Material	Finish	Qty/reel
C6201F-TP	AWG#14-#20	4.10mm(max)	Phosphor Bronze	Tin over Nickel	2,000 PCS
C6201F-GP	AWG#14-#20	4.10mm(max)	Phosphor Bronze	Gold over Nickel	2,000 PCS

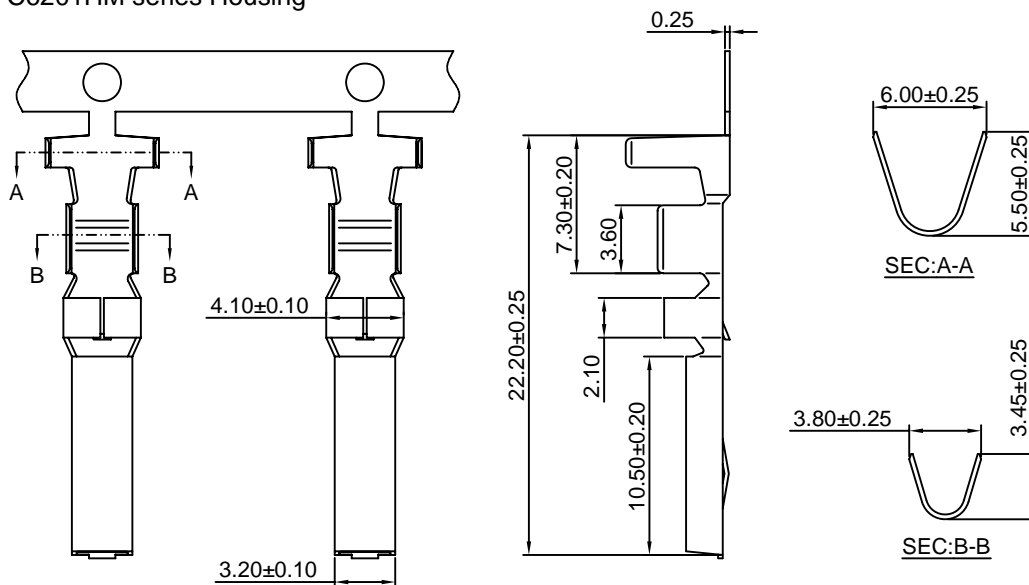
Optional Gold plating available but MOQ requested

C6201M-T

6.20mm pitch Crimp Terminal

Reference Informations:

*Used in CJT C6201HM series Housing



Ordering information & Specifications:

Unit:mm

Part NO	Wire Range	Insulation O.D.	Material	Finish	Qty/reel
C6201M-TP	AWG#14-#20	4.10mm(max)	Phosphor Bronze	Tin over Nickel	2,000 PCS
C6201M-GP	AWG#14-#20	4.10mm(max)	Phosphor Bronze	Gold over Nickel	2,000 PCS

Optional Gold plating available but MOQ requested

C6201H

6.20mm Pitch Housing

Reference Informations:

- *Material:Housing:Nylon 66,UL94V-0
Retainer:Nylon 66,UL94V-0
- *Suitable CJT C6201 series Terminal
- *Color:White

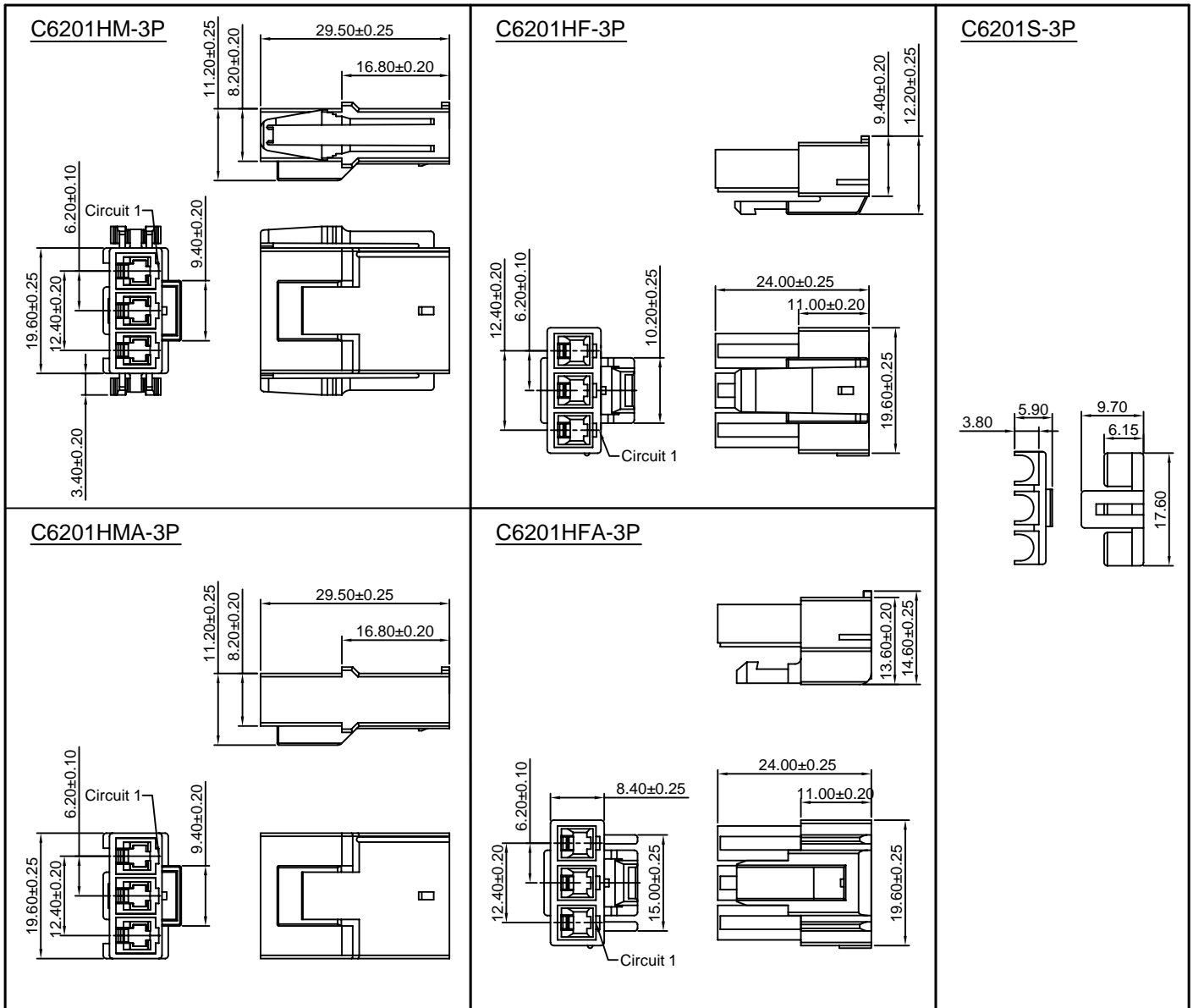
Ordering Information:

- C6201S-XP - **
1 2
- 1.Part No.
2.Color:
(blank):Blue
IV:Ivory

C6201HM	C6201HF<HFA>	Retainer
<p><u>C6201HM-1P</u></p>	<p><u>C6201HF-1P</u></p>	<p><u>C6201S-1P</u></p>
<p><u>C6201HM-2P</u></p>	<p><u>C6201HF-2P</u></p>	<p><u>C6201S-2P</u></p>
<p><u>C6201HMA-2P</u></p>	<p><u>C6201HFA-2P</u></p>	

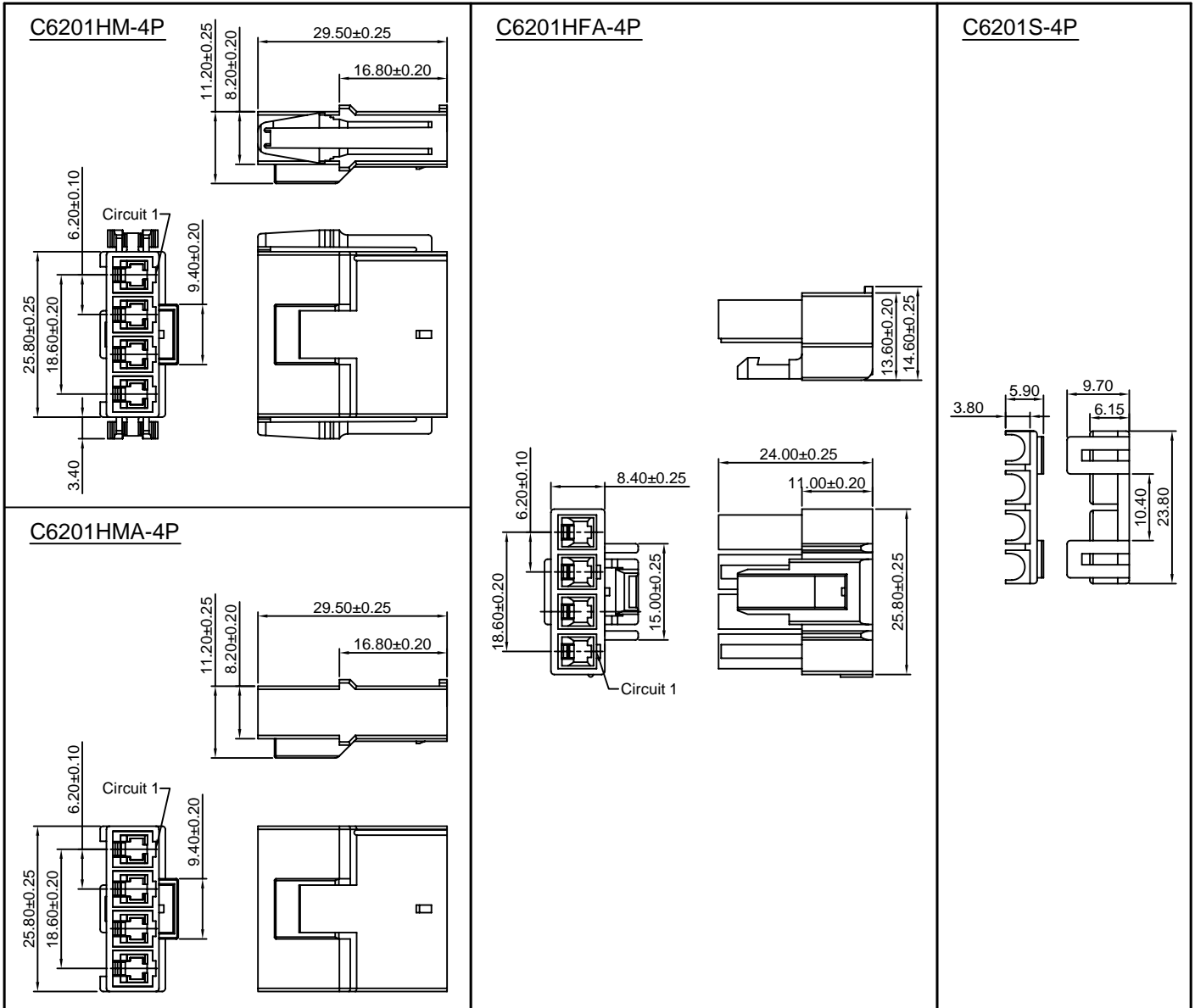
C6201H

6.20mm Pitch Housing



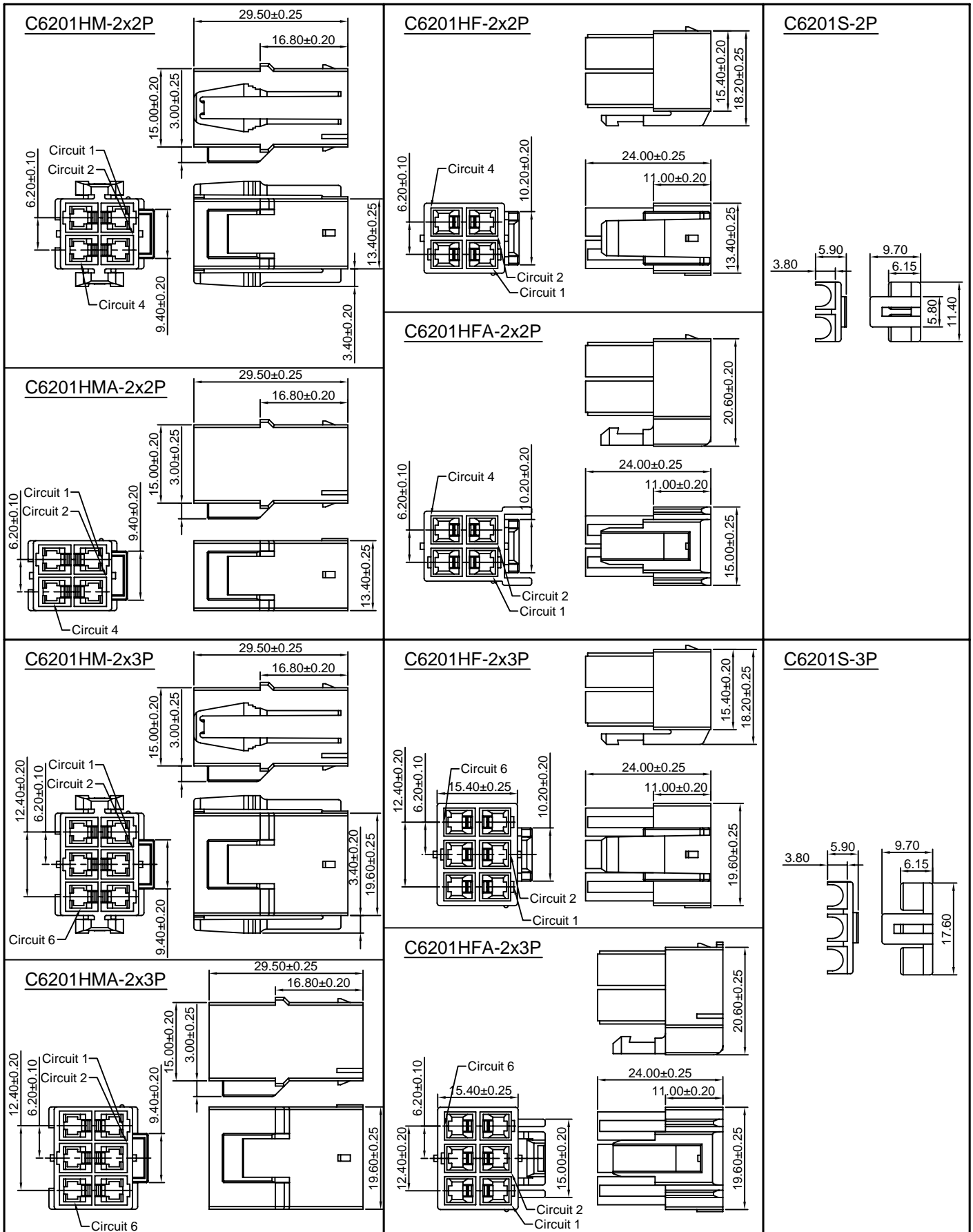
C6201H

6.20mm Pitch Housing



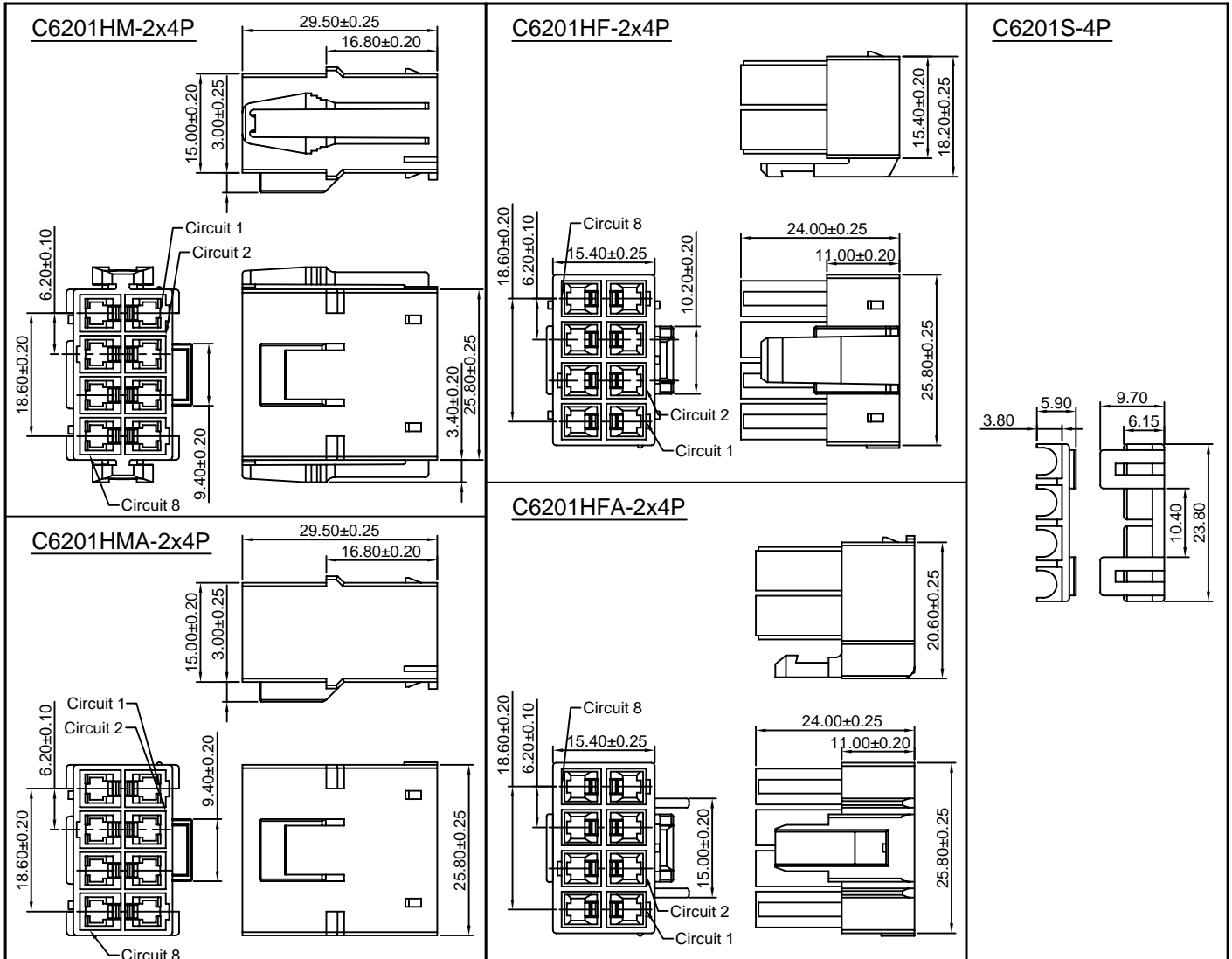
C6201H

6.20mm Pitch Housing



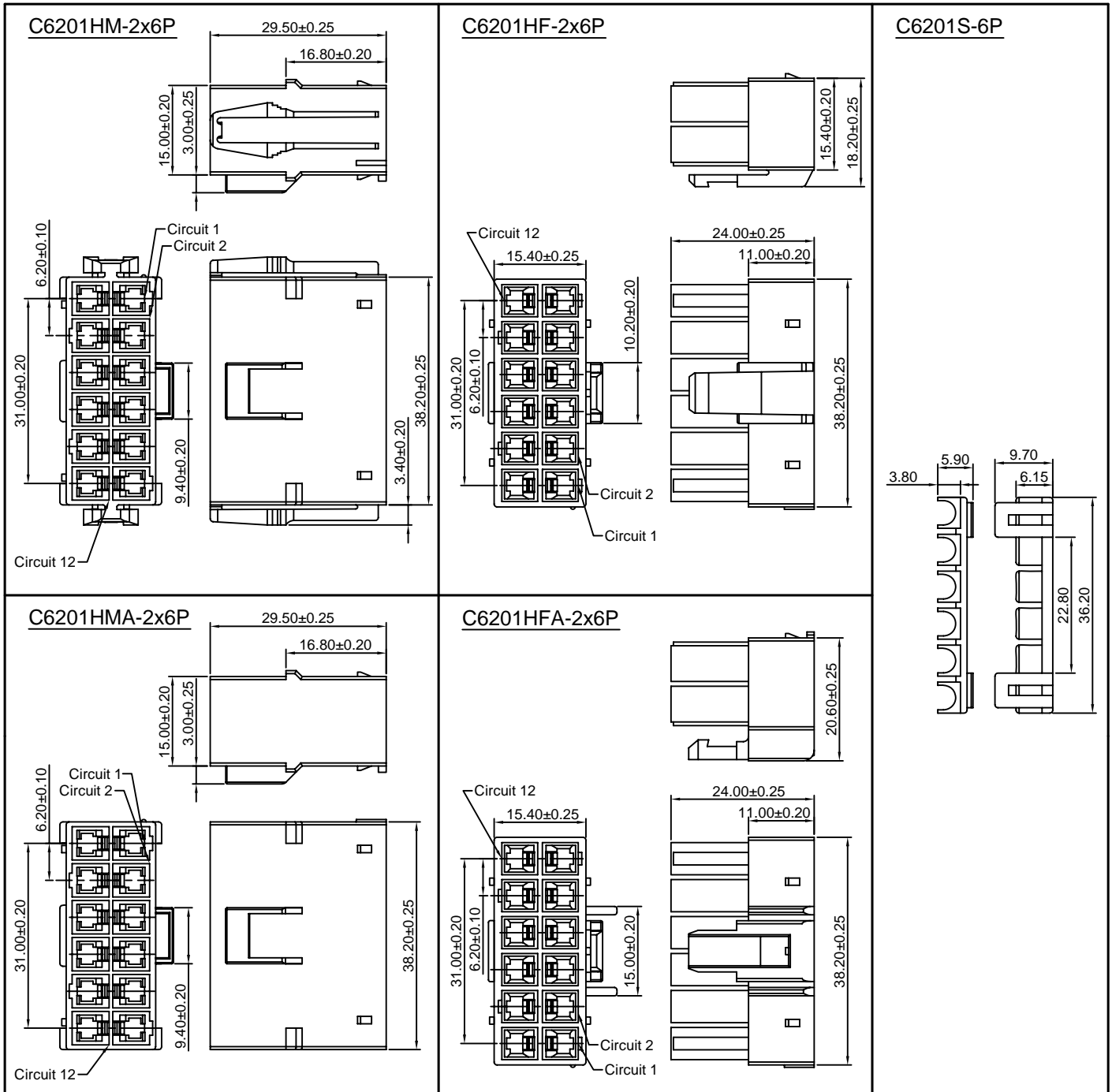
C6201H

6.20mm Pitch Housing



C6201H

6.20mm Pitch Housing

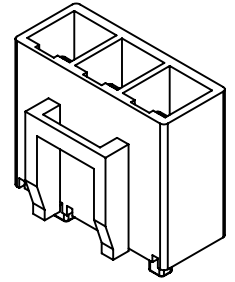
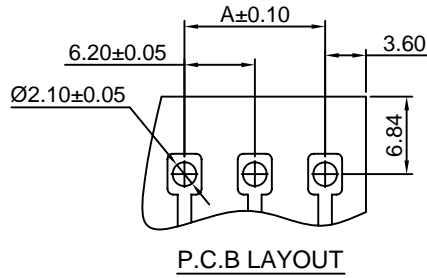
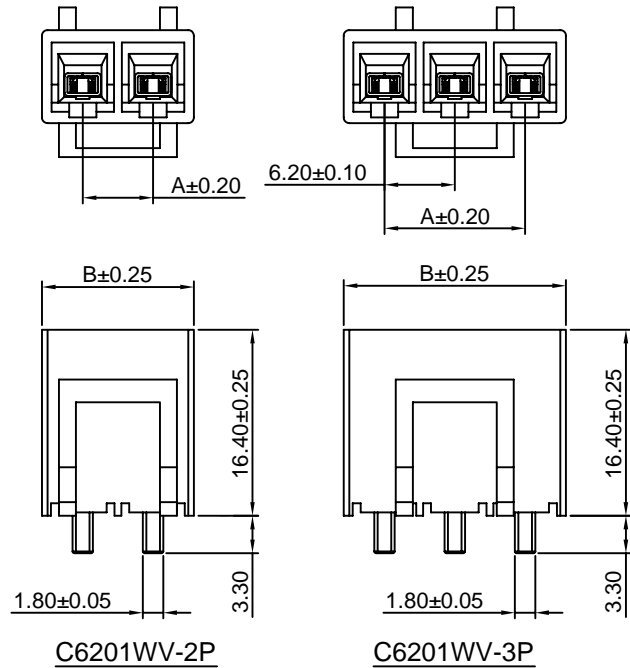


C6201WV

6.20mm pitch 180° Single Row Wafer

Reference Informations:

- *Material: Pin: Brass/Tin over Nickel
Insulator: Nylon66, UL94V-0
- *Mates with CJT C6201HF series single row Housing
- *Color: White



Ordering Information & Dimensions:

PART NO.	Dimensions	
	A	B
C6201WV-2P	6.20	13.40
C6201WV-3P	12.40	19.60
C6201WV-4P	18.60	25.80

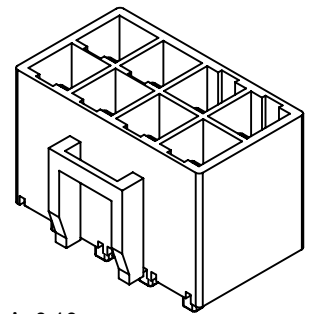
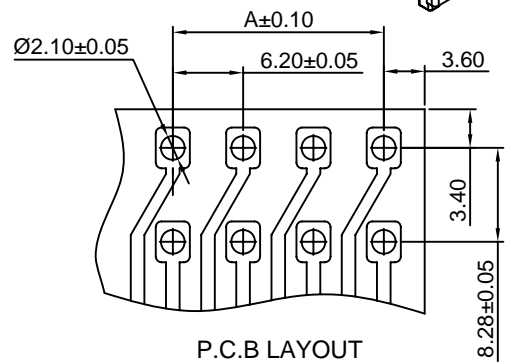
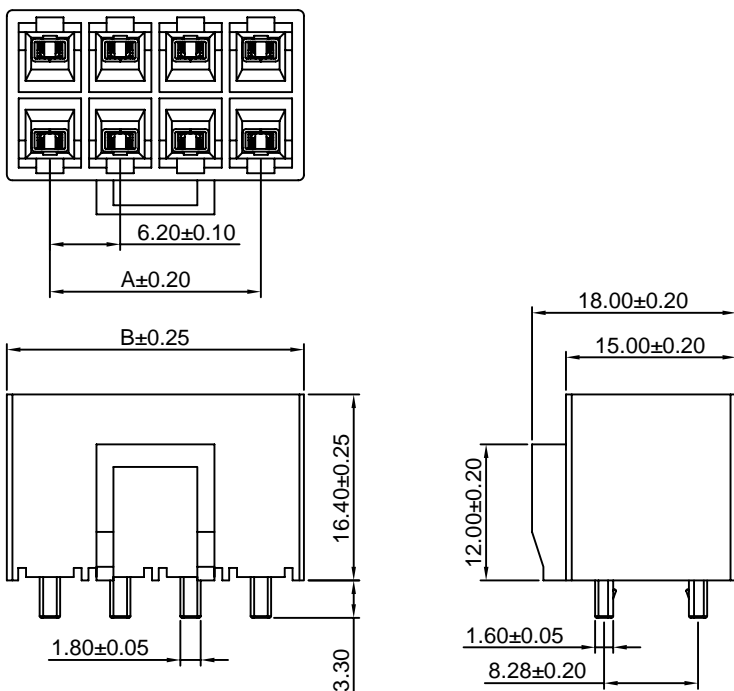
Unit:mm

C6201WV-2

6.20mm pitch 180° Dual Row Wafer

Reference Informations:

- *Material: Pin: Brass/Tin over Nickel
Insulator: Nylon66, UL94V-0
- *Mates with CJT C6201HF series dual row Housing
- *Color: White



Ordering Information & Dimensions:

PART NO.	Dimensions	
	A	B
C6201WV-2X2P	6.20	13.40
C6201WV-2X3P	12.40	19.60
C6201WV-2X4P	18.60	25.80
C6201WV-2X6P	31.00	38.20

Unit: mm